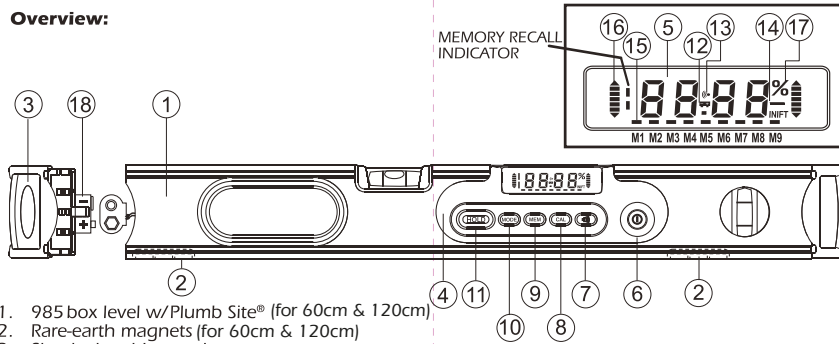


USER MANUAL



EN

Overview:



1. 985 box level w/Plumb Site® (for 60cm & 120cm)
2. Rare-earth magnets (for 60cm & 120cm)
3. Shock absorbing end caps
4. Digital unit
5. LCD with backlight
6. Power button
7. Buzzer/Mute button
8. Calibration/False zero button
9. Memory/Recall button
10. Mode button – degree, percentage, pitch in/ft and mm/m
11. Hold button
12. Low battery indicator
13. Buzzer/mute indicator
14. Reference angle indicator (“False 0”)
15. Memory recall indicators
16. Directional arrows for horizontal and plumb leveling
17. Mode indicators
18. 9V Battery

Power on/off:

- Press the Power button to turn on level. Press again to turn off. If the angle of the unit does not change after 10 minutes, it will turn off automatically.

Hold function:

- Press the Hold button to freeze measurement display. Press again to return to active display.

Mode function:

- Press the Mode button to switch between degree, percentage, pitch in/ft and mm/m readings.

Calibration function:

- Position the level on a level surface.
- Press the Calibration button for 2 seconds. The LCD will display “CAL1” and then the measurement will flash.
- Rotate level 180° while keeping it flat on the level surface.
Do not lift the level off of the surface.
- Once you have turned the level, wait for 5 seconds and then press the Cal button again for 2 seconds.
- The LCD will beep and display “CAL2” and then display a level reading. The level is now calibrated and ready for use.

Note:

- If the LCD displays 3 dashes (- - -) after rotating the level 180°, this indicates that the level was not kept parallel to the level surface during rotation. Start the calibration procedure again from Step 1.

False Zero mode:

- To set a reference angle, press the Calibration button. The display will change to “0.0”. The False Zero icon will appear next to the measurement.
- To reset, press Calibration button again.

Buzzer on/off:

- Press the Buzzer button to active the beep tone in the 0°, 45° and 90° angles. Press again to mute.

Technical Specifications:

- Digital leveling: 360°
- LCD: 360° readout – display flips in upside down position. Wide screen LCD with LED Backlight
- Functions and buttons:
 - Hold function
 - Mode function – degree, percentage, pitch in/ft and mm/m
 - 9 measurement memory storage and recall
 - Recalibration function
 - Reference angle (“False 0”)
 - Buzzer at 0°, 45°, 90° /mute function
- Electronic measuring precision : horizontal/vertical: ±0.1° at 0° and 90°
- Electronic measuring precision: ±0.2° from 2° to 89°
- Vial accuracy: ±0.5mm/m (0.0005 "/>)
- Working temperature: -10°C to 45°C (-22F - 113F)
- Storage temperature: -30°C to 50°C (-22F - 122F)
- Power supply: 9V battery (included)
- Battery life: Over 8 hours continuous use
- Auto shut-off: After 10 minutes
- Splash/Dust resistance: According to standard IP54

Thank you for purchasing the 985D Digiman Professional Digital Level. You are now the owner of one of our innovative state-of-the-art tools. This tool incorporates new MEMS (Micro-Electrical Mechanical Systems) technology to achieve accurate results and reduce work time in horizontal/vertical leveling and angle measurement.

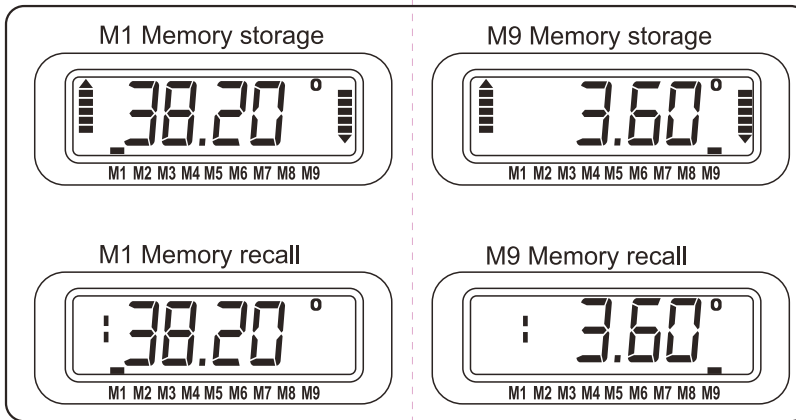
Applications:

- Drywall projects
- Roof layout and framing jobs
- Installing stairs and banisters
- Laying pipe and drainage slopes

Features:

- 985 Magnetic Professional Box Level with Plumb Site® Dual-View™ vial (for 60cm & 120cm)
- MEMS (Micro-Electrical Mechanical Systems) technology
- Wide screen LCD with LED backlight
- 360° readout display – flips in upside down position
- Hold function
- Mode function – degree, percentage, pitch in/ft and mm/m
- Memory storage and recall function – 9 measurements
- Recalibration function
- Reference angle (“False 0”) for transferring angle measurements
- Buzzer at 0°, 45°, 90° with mute function
- Digital accuracy: 0.1° at level and plumb, 0.2° at other angles
- Auto-off after 10 min. Reading resolution 0.05°

Memory and memory recall function:



- The Digiman level can store 9 sequential measurements. To store the displayed measurement, press the Memory button.
- To recall stored measurements, press the Memory button for 2 seconds.

- The stored readings will be recalled in the order they were taken. The order is shown along the lower edge of the LCD in dashes M1 to M9.
- The LCD will show each recalled measurement with the indicator next to it
- To clear stored measurements, turn power off and back on.

Note:

- We recommend checking calibration daily after a rough fall or if there has been a significant temperature change +/-20° since the previous calibration.

Direction Arrow:

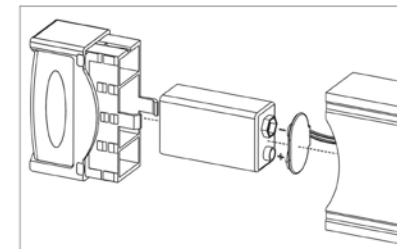
- There are two Direction Arrows on either side of the LCD display. They indicate which direction to move the Digiman® for a level or plumb measurement.

Low Battery indication:

- When the battery is less than 7V, the Low Battery signal will be indicated on the LCD.

Battery Change:

- Remove battery holder end cap and detach connectors from 9V battery.
- Replace battery, attach connectors according to battery polarity, and insert end cap into level.



Warranty

This product is covered by a two-year limited warranty against defects in materials and workmanship. It does not cover products that are used improperly, altered, or repaired.

Kapro Tools Inc.

251 Enterprise Drive
Lake Mills, WI 53551
Tel: 1.888.4 LEVELS

E-mail: quality@kapro.com
Website: www.kapro.com

In the event of a problem with the level you have purchased, please return the product to the place of purchase.

Model no. 985D