



US00D625630S

(12) **United States Design Patent**
Levinson

(10) **Patent No.:** **US D625,630 S**

(45) **Date of Patent:** **** Oct. 19, 2010**

(54) **TORPEDO LEVEL**

(75) Inventor: **Amy Levinson**, Upper Galilee (IL)

(73) Assignee: **Kapro Industries, Ltd.** (IL)

(**) Term: **14 Years**

(21) Appl. No.: **29/347,714**

(22) Filed: **Apr. 19, 2010**

(51) **LOC (9) Cl.** **10-04**

(52) **U.S. Cl.** **D10/69**

(58) **Field of Classification Search** D10/69;
33/365, 366.11-366.27, 367-391

See application file for complete search history.

(56) **References Cited**

U.S. PATENT DOCUMENTS

3,225,451 A	12/1965	Olexson et al.
3,878,617 A	4/1975	West et al.
4,068,386 A	1/1978	Streeter
4,109,392 A	8/1978	Streeter
D332,226 S	1/1993	Hutchins et al.
D415,436 S	10/1999	Martone
6,243,957 B1	6/2001	Gruetzmacher, Jr. et al.
D469,370 S	1/2003	Gruetzmacher et al.
D472,168 S	3/2003	Levinson
6,568,095 B2	5/2003	Snyder
D498,686 S	11/2004	Levinson et al.
D503,635 S *	4/2005	Kallabis D10/69
D513,198 S	12/2005	Levinson

D521,882 S	5/2006	Kim
7,152,335 B2	12/2006	Nichols
D582,302 S	12/2008	Johnson et al.
D597,872 S *	8/2009	Gofer D10/69
D597,873 S	8/2009	Gofer

FOREIGN PATENT DOCUMENTS

GB	2 210 167	6/1989
GB	2 259 570	3/1993

* cited by examiner

Primary Examiner—Antoine D Davis

(74) *Attorney, Agent, or Firm*—HersHKovitz & Associates, LLC; Harold L. Novick

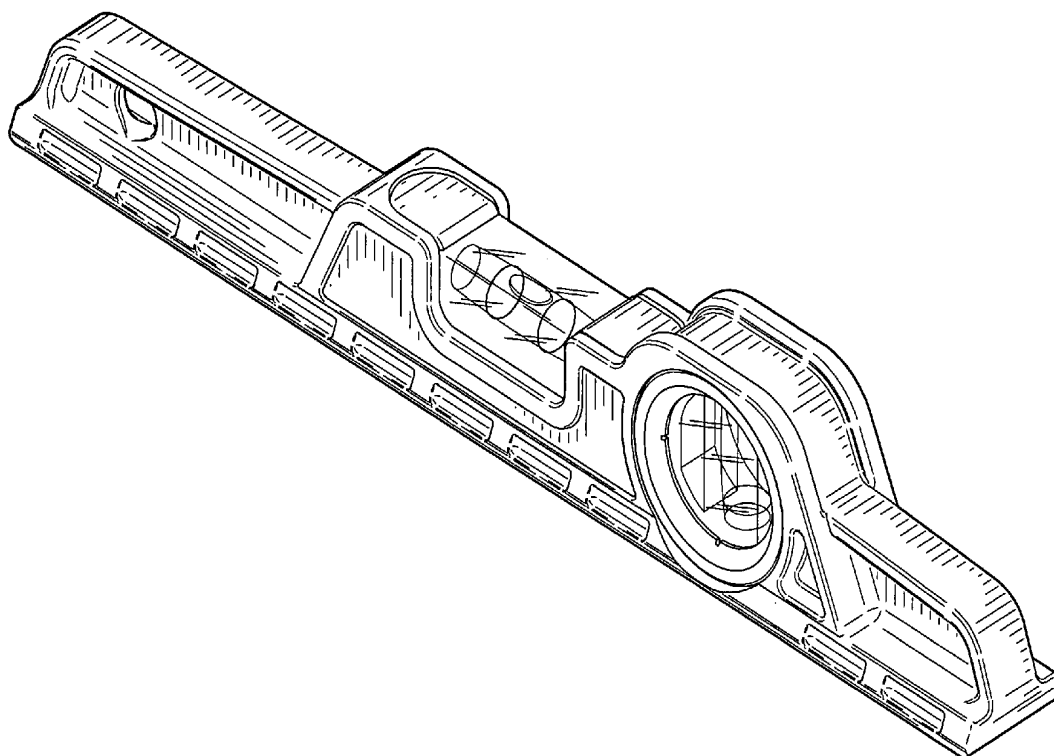
(57) **CLAIM**

The ornamental design for a torpedo level, as shown and described.

DESCRIPTION

FIG. 1 is a perspective view of a torpedo level;
 FIG. 2 is a front elevation view of the torpedo level of FIG. 1;
 FIG. 3 is a top plan view of the torpedo level of FIG. 1;
 FIG. 4 is a rear elevation view of the torpedo level of FIG. 1;
 FIG. 5 is a bottom plan view of the torpedo level of FIG. 1;
 FIG. 6 is left elevation view of the torpedo level of FIG. 1;
 and,
 FIG. 7 is a right elevation view of the torpedo level of FIG. 1.

1 Claim, 4 Drawing Sheets



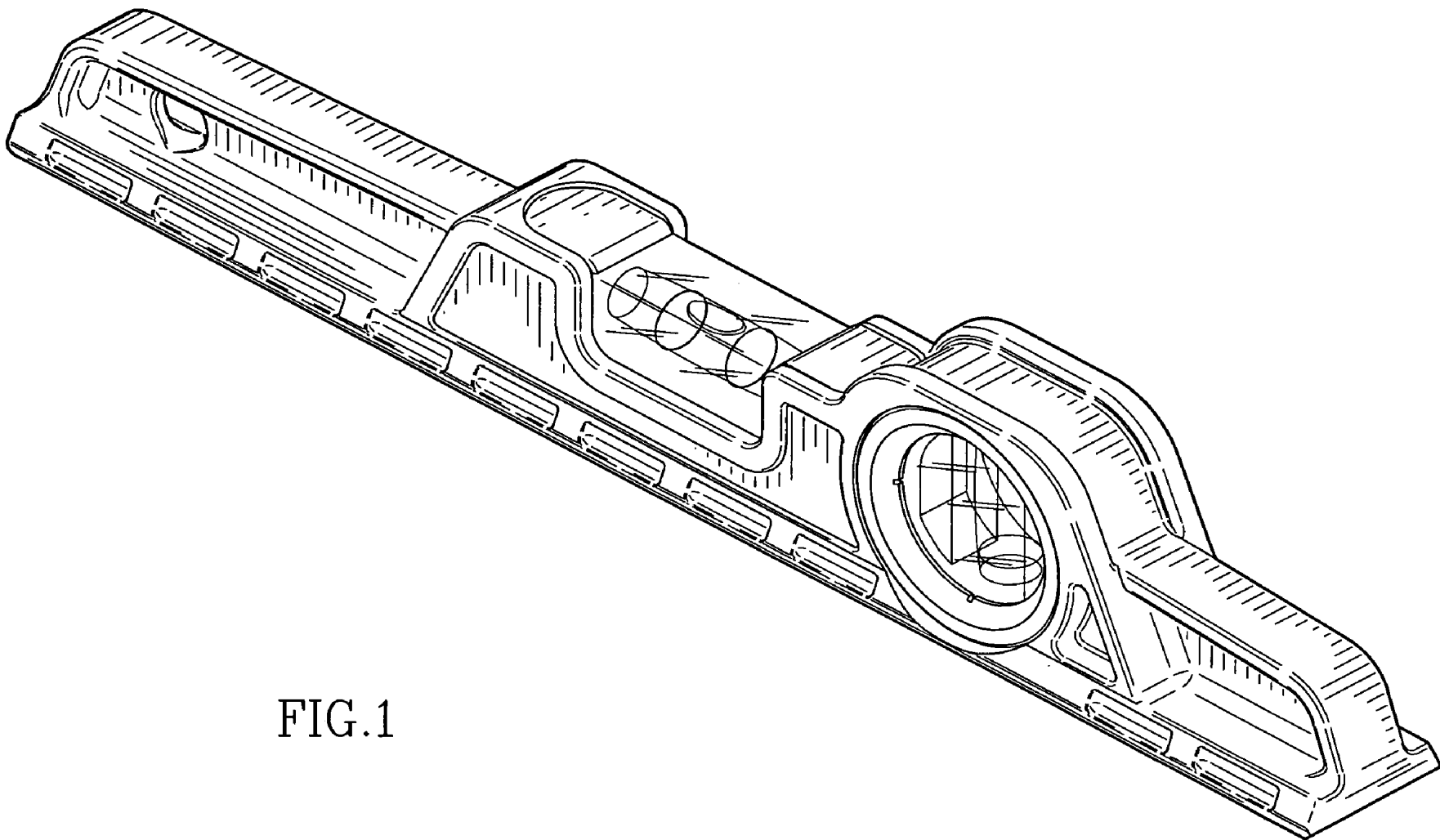


FIG.1

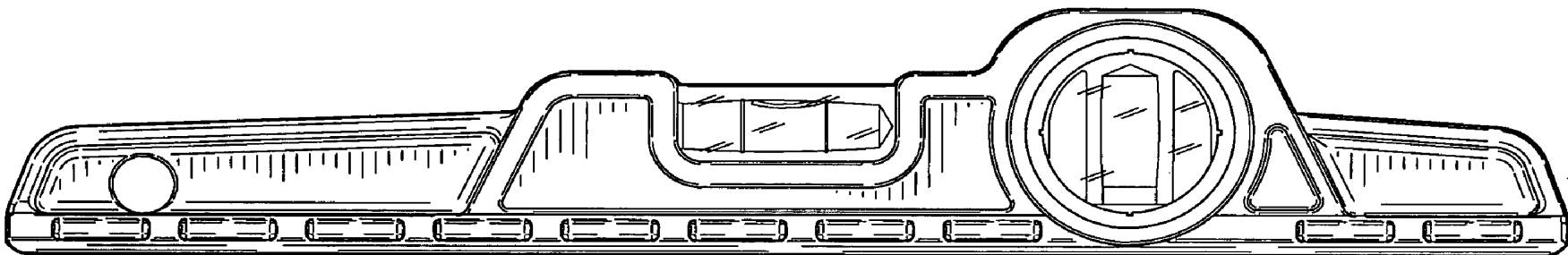


FIG. 2

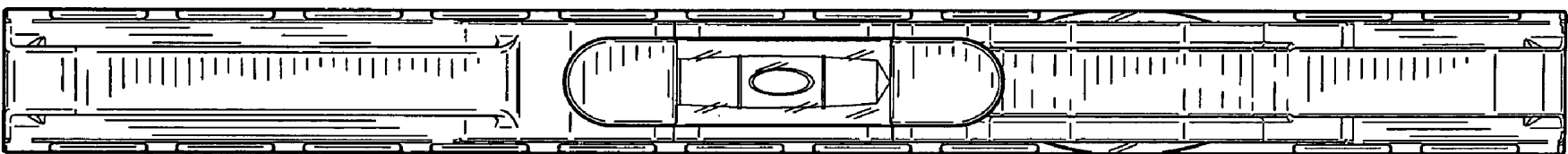


FIG. 3

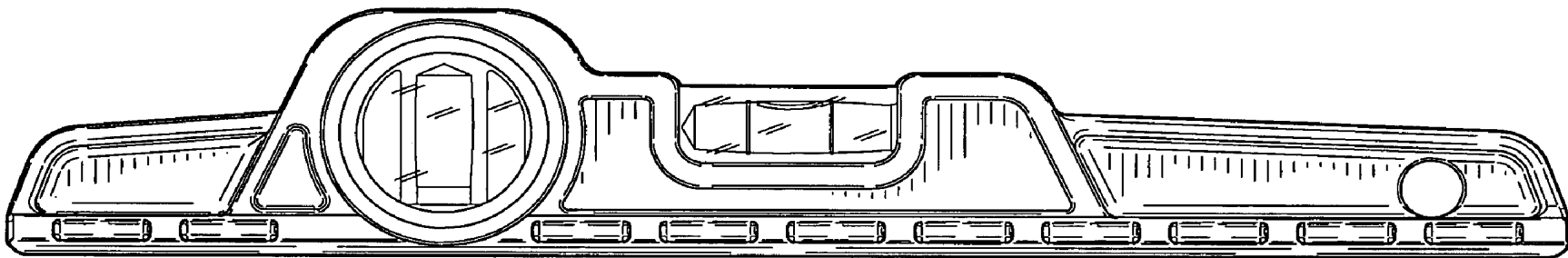


FIG. 4

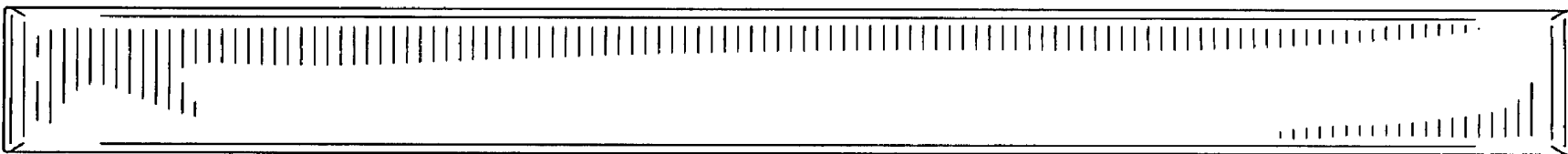


FIG. 5

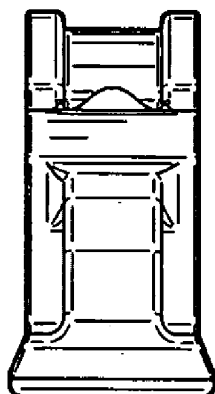


FIG. 6

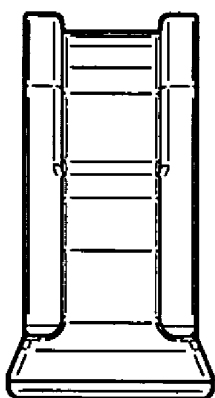


FIG. 7