

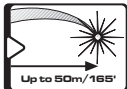


Prolaser Multi Beam Orbital laser Model No. 962

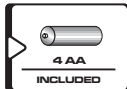


scan for other languages

User Manual
Manual del usuario
Manuel d'utilisation
Руководство по эксплуатации



Up to 50m/165'





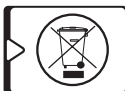
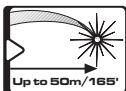
EN

Thank you for purchasing Kapro's 962 Prolaser® Multi Beam Orbital laser. You now own one of the most advanced laser tools available. This manual will show you how to get the most out of your laser tool.

APPLICATIONS

The 962 Prolaser® Multi Beam Orbital laser is an Indoor / Outdoor laser level with 3 laser diodes that emits a horizontal circular line, vertical line and two plumb dots. The laser is innovatively designed for a very broad range of Professional and DIY jobs, including:

- Hanging cabinets and shelves.
- Setting floor and wall tiles
- Drywall and acoustic ceilings installation.
- Framing and aligning windows and doors
- Leveling electrical outlets, plumbing and studs
- Leveling slopes for stairs, rails, roofs and more (manual mode).



NOTE

Keep this user manual for future reference.

CONTENTS

• Features	4
• Safety instructions	5-6
• Battery installation & Safety	7-8
• Overview	9
• Operating instructions	10-12
• Maintenance	13
• Field calibration test	14-23
• Specifications	24
• Warranty	25



FEATURES

- This laser emits 1 horizontal 360° and 1 vertical beams, that intersect on the wall in front of the device, as well as two plumb laser dots - on the floor and on the ceiling.
- Self-leveling in automatic mode when the laser is positioned within its self-leveling range which is $\pm 3^\circ$
- Visual warning when the laser level is out of leveling range.
- Pulse mode emits pulses that can be detected by a detector.
- Max. indoor working range - 30m (100')
- The max. detectable range of the laser in pulse mode is 50m (165').
- For optimal vertical line viewing : position the laser at least 2 meters from the wall.
- Manual mode allows angular layout/marketing.
- IP65 Rated for water and dust protection.
- Locking mechanism to protect the pendulum during transportation.
- 1/4" tripod thread (5/8" thread on the mount)
- Shock resistant rubber over molded casing.
- Multi-purpose magnetic mount.

NOTE

This device contains precision components sensitive to external shock, impact or falls that may compromise its functionality. Handle with care to maintain its accuracy.

SAFETY INSTRUCTIONS



WARNING

This product emits radiation classified as Class II according to EN 60825 -1

The laser radiation can cause serious eye injury



- Do not stare into the laser beam
- Do not position the laser beam so that it unintentionally blinds you or others.
- Do not operate the laser level near children or let children operate the laser level.
- Do not look into a laser beam using magnifying optical devices such as binoculars or a telescope, since it will increase the level of eye injury.



WARNING: This product contains lead in soldered joints and certain Electrical parts contain chemicals which are known to the State of California to cause cancer, birth defects or other reproductive harm.

(California Health & Safety Code Section 25249.6- Proposition 65)



- Do not remove or deface warning labels on the laser level.
- Do not disassemble the laser level, laser radiation can cause serious eye injury.
- Do not drop the unit.
- Do not use solvents to clean the laser unit.
- Do not use in temperatures below -10°C or above 45°C (14°F to 113°F)
- Do not operate the laser in explosive atmospheres such as flammable liquids, gases or dust. Sparks can cause ignition.
- When not in use remove the battery, engage the pendulum lock and place the laser in the carrying pouch.
- Make sure the pendulum lock mechanism is engaged before transporting the laser.

NOTE

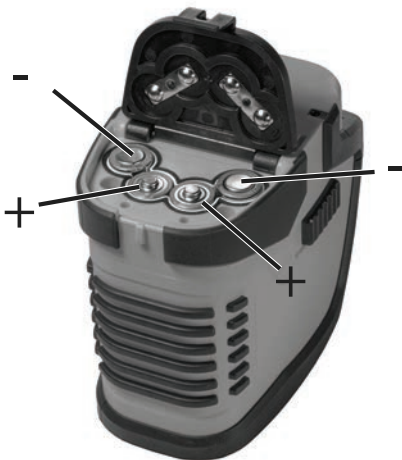
If the Pendulum lock mechanism is not engaged before transportation, internal mechanical damage may occur.

BATTERY INSTALLATION & SAFETY

The 962 Prolaser® Multi Beam Orbital laser® uses 4 standard AA batteries.


Installation

1. Press down the ledge of the battery cover.
2. Insert 4 new AA batteries of the same brand according to the polarity diagram on the battery cover.
3. Reclose the battery cover.





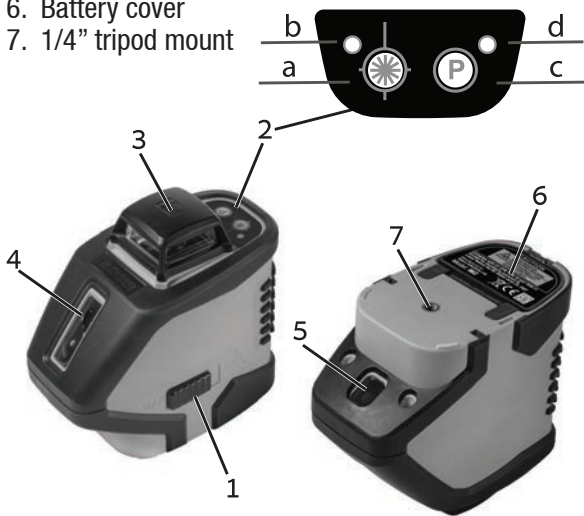
Replace the batteries if the beam/battery indicator (b) starts to flash instead of emitting a steady light.

 **WARNING:** Battery can deteriorate, leak or explode and can cause injury or fire.

1. Do not shorten the battery terminals.
2. Do not dispose of battery into household waste.
3. Do not dispose of battery in fire.
4. Defective or dead batteries must be disposed according to local regulations.
5. Keep the batteries out of children's reach.

OVERVIEW

1. On/Off Locking Switch
2. Keypad
 - a. Beam Selector/Manual mode button
 - b. Beam / Battery indicator
 - c. Pulse Mode button
 - d. Pulse Mode indicator
3. Horizontal laser beam window
4. Forward vertical laser beam window
5. Down plumb dot window
6. Battery cover
7. 1/4" tripod mount





OPERATING INSTRUCTIONS

Working in Automatic mode (self-leveling):

In automatic mode the laser level will level itself in $\pm 3^\circ$ range and will project horizontal 360° beam, vertical beam and 2 plumb dots.

1. Remove the laser level from the case and place it on a solid, flat, vibration free surface or on a tripod.
2. Push the locking switch #1 to the ON position. The laser level will project all the beams: a 360° horizontal beam, vertical beam and 2 plumb dots. The beam indicator (b) will turn on.
3. Press the beam selector button (a) to choose the required laser beams by cycle:
All beams => Horizontal beam only => Vertical beam only => Horizontal + Vertical beams => Plumb dots only => All beams.
4. If the initial inclination of the laser level is beyond $\pm 3^\circ$ and the automatic mode is activated, the laser beams will flash. In this case reposition the laser level on a more level surface.
5. Before moving the laser level, turn the locking switch #1 to the OFF position, this will lock the pendulum and protect your laser level.

Working in Manual mode:

In Manual mode the 962 self-leveling mechanism is disabled and the laser beams can be set at any slope required.

1. Verify that the locking switch #1 is on the OFF position.
2. Press and hold the beam selector button (a) for 3 seconds, to activate the manual mode. The laser level will project all the beams: a 360° horizontal beam, vertical beam and 2 plumb dots that will flash every 3 sec. to let you know that the beam is not leveled. The beam indicator (b) will turn on.
3. To mark a slope, tilt the laser to the desired angle.
4. To choose a beam, briefly press the beam selector button (a) - it will change the beams by cycle:
All beams => Horizontal beam only => Vertical beam only => Horizontal + Vertical beams => Plumb dots only => OFF.
5. The last click on the beam selector button (a) will switch OFF all the beams and the beam indicator (b) will turn off.
6. While in Manual mode, turning the locking switch #1 from OFF to ON will turn off the Manual mode. The automatic self – leveling mode will be activated (if the laser level is within the self – leveling range).



Working in Pulse mode with a detector:

For outdoor work under direct sunlight or bright conditions, and for extended indoor ranges up to 50 meters, use the pulse mode with a Detector. When the pulse mode is activated the laser beams will flash at a very high frequency (invisible to the human eye). This will allow the detector to detect the laser beams.

1. The pulse mode can be activated both in Automatic and in Manual mode.
2. Turn on the laser level (to the required mode).
3. Press the Pulse mode button (c) to activate it. The Pulse mode indicator (d) will turn on. Visually, the intensity of the beam will be reduced slightly.
4. Turn on the detector and search for the laser beam.
5. You can choose a different beam, by pressing on the beam selector button (a), while you are in Pulse Mode.
6. To switch the Pulse Mode off, press the Pulse mode button (c) and the Pulse mode indicator (d) will turn off.

MAINTENANCE

To maintain the accuracy of your project, check the accuracy of your laser level according to the field calibration tests procedures.

- Change the battery when the laser beams begins to dim.
- Wipe the aperture lens and the body of the laser level with a clean soft cloth. Do not use solvents.
- Although the laser level is dust and dirt resistant to a certain degree, don't store in dusty places as long term exposure may damage internal moving parts.
- If the laser level is exposed to water, dry the laser level before returning it to the carrying case to prevent corrosion damage.
- Remove the battery if the laser level is unused for a long period of time to prevent corrosion damage.



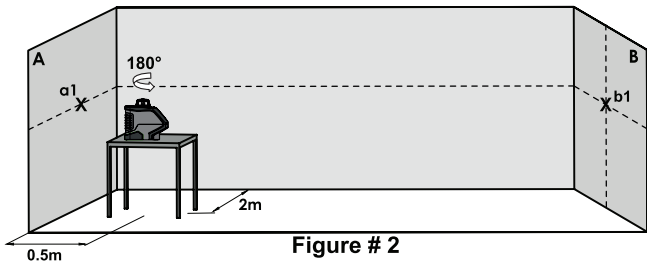
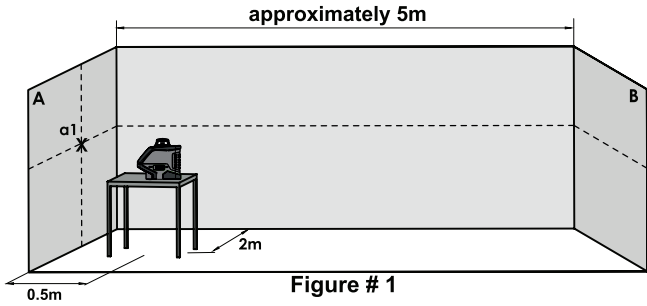
FIELD CALIBRATION TEST

This laser level left the factory fully calibrated. Kapro recommends the user check the accuracy of the laser periodically, especially if the unit falls or is mishandled.

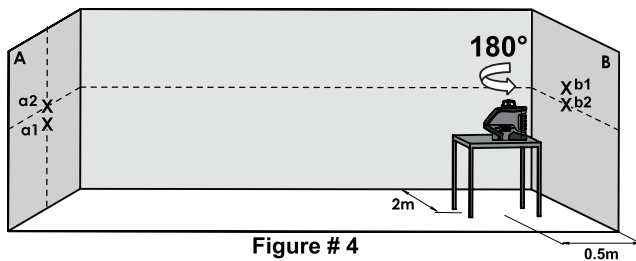
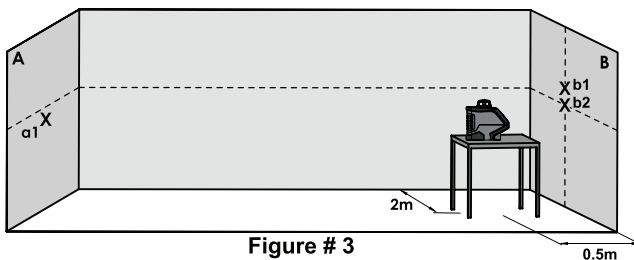
1. Check the height accuracy of the horizontal beam.
2. Check the leveling accuracy of the horizontal beam.
3. Check the leveling accuracy of the vertical beam.
4. Check the accuracy of the plumb line.

1. Checking the Height Accuracy of the Horizontal beam. (Up and down deviation)

1. Set up the laser on a tripod or on a flat stable surface between two walls **A** and **B**, approximately 5 meters/16 feet apart.
2. Position the laser level approximately 0.5 meter from wall **A**.
3. Unlock the pendulum and press the button to project the horizontal and the vertical cross beams towards wall **A**.
4. Mark the center of the cross beams on the wall as a 1 (see figure # 1).
5. Turn the laser 180° towards wall **B** and mark the center of the cross beams as **b1** on the wall (see figure 2).



6. Move the laser level towards wall B and position it approximately 0.5 meter from wall B.
7. Mark on wall B the center of the cross beams as b2 (see figure 3).



8. Turn the laser 180° towards wall **A**, and mark on the wall the center of the cross beams as **a2** (see figure 4).
9. Measure the distances:
 $\Delta a = |a2 - a1|$
 $\Delta b = |b1 - b2|$
10. The difference $|\Delta a - \Delta b|$ should be no more than 3 mm, if otherwise send the laser level to a qualified technician for repair.

2. Checking the Level Accuracy of the Horizontal beam. (Side to side inclination)

1. Set up the laser on a tripod or on a flat surface at a distance of approximately 1.5 meters from a 5 meter/ 16 feet long wall.
2. Unlock the pendulum and press the button to project the horizontal and the vertical cross beams towards the wall approximately at the center of it.

3. Mark point **a1** on the wall, in the middle of the horizontal line at the left side of the wall (see figure 5).

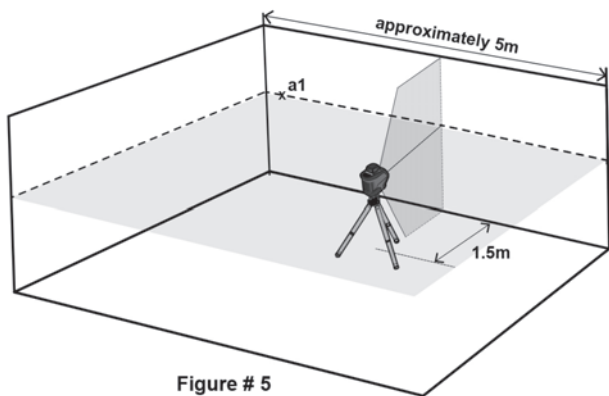


Figure # 5

4. Turn the laser level counterclockwise until the cross-section of the beams moves approximately 90° , mark a point **a2** on the wall near **a1** in the middle of the horizontal beam (see figure 6).
5. The distance between **a1** and **a2**, should be no more than 1.5 mm, if otherwise send the laser level to a qualified technician for repair.

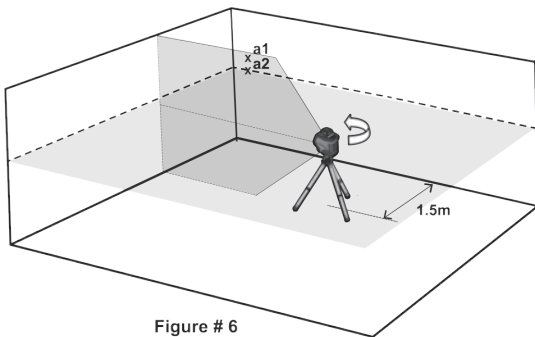
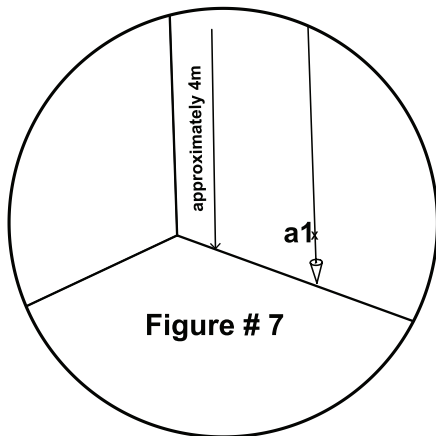


Figure # 6

3. Checking the Accuracy of the Vertical beam.

1. Hang an approximately 4 meter /13 feet plumb line on a wall.
2. After the plumb line has settled, mark point a1 on the wall, behind the plumb line, near the plumb cone.
(see figure 7).



3. Set up the laser on a tripod or on a flat surface in front of the wall at a distance of approximately 2 meter/ 6.5 feet.
4. Unlock the pendulum, and press the button to project the vertical beam towards the plumb line.
5. Turn the laser so that the vertical beam will merge with the plumb line below the hanging point.

6. Mark point a2 on the wall, in the middle of the vertical beam at the same height as a1. (see figure 8).
7. The distance between a1 and a2, should be no more than 1.5mm, if otherwise send the laser level to a qualified technician for repair.

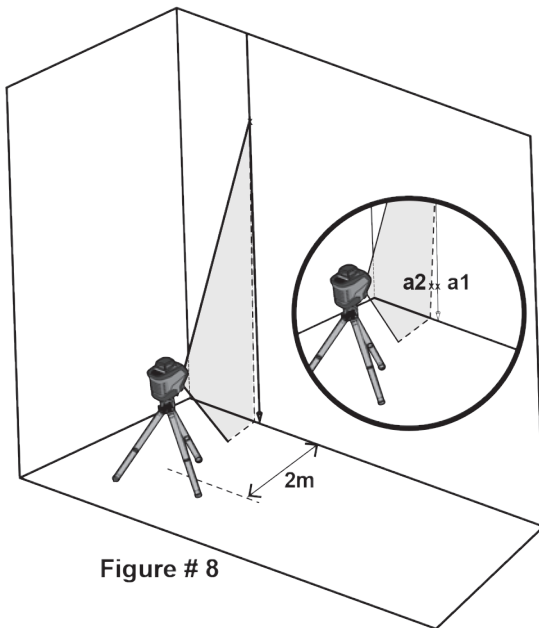


Figure # 8

4. Checking plumb accuracy

For this procedure a room with approx. 5m distance between floor and ceiling is needed.

1. Place the laser level on the floor.
2. Unlock the pendulum and press the beam selector button to project the plumb laser dots on the ceiling and on the floor.
3. Mark the center of the upper plumb dot on the ceiling as point a1. (See Figure 9)
4. Mark the center of the down plumb dot on the floor as point b. (See Figure 9).

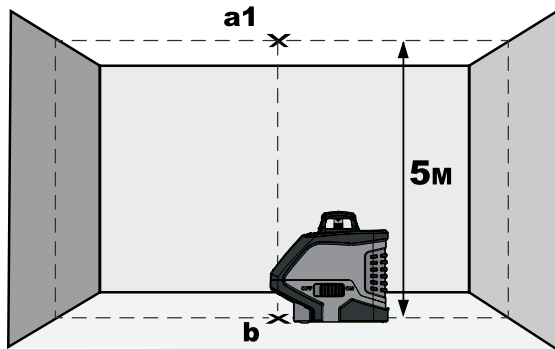


Figure # 9

5. Rotate the laser level 180° , position it so that the center of the down plumb dot is on the point b, which has already been marked, and allow it to level.
6. Mark the center of the upper plumb dot on the ceiling as point a2. (See Figure 10)
7. The distance between points a1 and a2 marked on the ceiling is an indication of the actual deviation of the line between the plumb dots from the ideal plumb line. The distance between a1 and a2, should not be more than 4 mm, otherwise send the laser level to a qualified technician for repair.

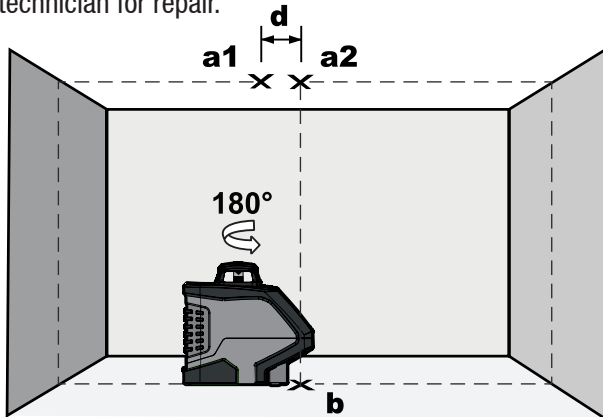


Figure # 10



SPECIFICATIONS

Laser beams output pattern	<ul style="list-style-type: none">• Horizontal 360°• Horizontal and vertical lines• Plumb dots• All lines and dots
Laser range	<ul style="list-style-type: none">• Indoor - 30m (100ft)• With detector - 50m (165ft)
Accuracy	±0.3mm/m (±0.0003in/in)
Self-leveling Range	±3°
Laser line width	2 mm±0.5mm/5m (0.10" ±0.02" at 20')
Wavelength	625-645nm - Laser Class II
Power supply	4 AA Alkaline batteries
Battery life	Up to 12 hours of continuous operation
Operating temp.	-10° C + 45° C (14°F +113°F)
Storage temp.	-20° C +60° C (-4°F +140°F)
Water & dust proof	IP65
Dimensions	119 x 62 x 115 mm 4.7" x 2.44" x 4.53"
Weight including battery	620gr ± 10gr (22 oz ± 0.35 oz)

WARRANTY

This product is covered by a two-year limited warranty against defects in materials and workmanship. The warranty does not cover products that are used improperly, altered or repaired without Kapro Tool's approval. In the event of a problem with the laser level, please return the product to the place of purchase with proof of purchase.

Model #962

The serial number sticker is positioned inside the battery compartment.

CE CONFORMITY CERTIFICATE

This product meets the standards of the Electromagnetic Compatibility (EMC) established by the European Directive 2014/30/EU and the Low Voltage Directive (LVD) 2014/35/EU

EC DECLARATION OF CONFORMITY

We declare under our responsibility that the product 962 is in accordance with the requirements of the Community Directives and Regulations:

2014/30/EU

2011/65/EU

EN60825-1: 2014

EN61326-1: 2013

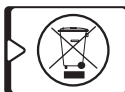
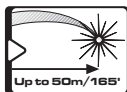
Gracias por comprar el láser 962 Prolaser® Multi Beam Orbital de Kapro. Usted posee ahora una de las herramientas láser más avanzadas del mercado. Este manual le mostrará cómo aprovechar al máximo su herramienta láser.

APLICACIONES

El láser 962 Prolaser® Multi Beam Orbital es un nivel láser para Interiores/Exteriores con 3 diodos láser, que emite una línea circular horizontal, línea vertical y dos puntos de plomada.

El láser está diseñado de modo innovador para una amplia gama de tareas profesionales y de bricolaje, incluyendo:

- Colgar gabinetes y estantes.
- Colocar azulejos en pisos y paredes
- Instalar paneles de yeso y cielorrasos acústicos.
- Enmarcar y alinear ventanas y puertas
- Nivelar tomas eléctricas, tuberías y travesaños
- Nivelar pendientes para escaleras, rieles, cielorrasos y más.
(modo manual)



NOTA

Guarde este manual para referencias futuras.

ÍNDICE

• Características	28
• Instrucciones de seguridad	29-30
• Instalación de baterías y Seguridad	31-32
• Visión general	33
• Instrucciones de operación	34-36
• Mantenimiento	37
• Prueba de calibración de campo	38-47
• Especificaciones	48
• Garantía	49



CARACTERÍSTICAS

- Este láser emite 1 rayo horizontal 360° 1 rayo vertical, que intersecan en la pared frente al dispositivo, además de dos puntos de plomada láser - en el piso y en el cielorraso.
- Auto-nivelación en modo automático cuando el láser está posicionado dentro de su rango de auto-nivelación, que es $\pm 3^\circ$
- Aviso visual si el nivel láser está fuera del rango de nivelación.
- El modo Pulso emite pulsos que pueden ser detectados por un detector.
- Rango de trabajo máx. en interiores - 30m (100')
- El rango máx. detectable del láser en modo pulso es de 50m (165').
- Para una visualización óptima de la línea vertical: coloque el láser al menos a 2 metros de la pared
- Para una visualización óptima de la línea vertical: coloque el láser al menos a 2 metros de la pared.
- El modo manual permite diseño/marcación angular.
- Clasificado IP65 para protección contra agua y polvo.
- Mecanismo de bloqueo para proteger el péndulo durante el transporte.
- Rosca de trípode de 1/4" (rosca de 5/8" en el montaje)
- Goma resistente a impactos sobre carcasa moldeada.
- Montaje magnético de múltiples propósitos.

NOTA

Este dispositivo contiene componentes de precisión sensibles a caídas o golpes e impactos externos, que pueden afectar su funcionalidad – manéjelo con cuidado para mantener su precisión.

INSTRUCCIONES DE SEGURIDAD



ADVERTENCIA

- Este producto emite radiación clasificada como de Clase II según la norma EN 60825 -1
La radiación láser puede causar lesiones oculares graves
- No mire directamente al rayo láser
- No posicione el haz de láser de modo que engeezca involuntariamente a otras personas o a usted mismo.
- No opere el nivel láser cerca de niños, ni permita a los niños utilizar el nivel láser.
- No mire a un rayo láser utilizando dispositivos ópticos de aumento, tal como prismáticos o telescopio, ya que esto aumentará el nivel de lesión ocular.



! **ADVERTENCIA:** Este producto contiene plomo en las soldaduras, y ciertas partes eléctricas contienen productos químicos que son reconocidos por el Estado de California como causantes de cáncer, defectos de nacimiento u otros daños reproductivos. (California Health & Safety Code Section 25249.6- Proposition 65)



- No quite ni destruya las etiquetas de advertencia del nivel láser.
- No desarme el nivel láser, la radiación láser puede causar lesiones oculares graves.
- No deje caer la unidad.
- No utilice disolventes para limpiar la unidad láser.
- No debe usarse en temperaturas inferiores a -10°C o superiores a 45°C (14°F a 113°F)
- No opere el láser en atmósferas explosivas, tales como líquidos inflamables, gases o polvo. Las chispas pueden causar ignición.
- Cuando no esté en uso quite la batería, active el bloqueo del péndulo, y coloque el láser en el estuche de transporte.
- Asegúrese de que el mecanismo de bloqueo del péndulo esté activado antes de transportar el láser.

NOTA

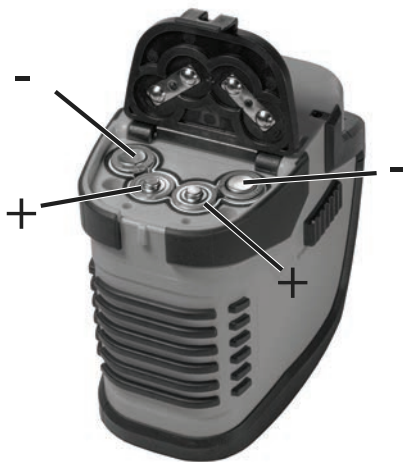
Si el mecanismo de bloqueo del péndulo no está activado antes del transporte, se podría producir daño mecánico interno.

INSTALACIÓN DE PILAS Y SEGURIDAD

El láser 962 Prolaser® Multi Beam Orbital® usa 4 baterías AA estándar.

Instalación

1. Presione el pestillo de la tapa de las baterías.
2. Inserte 4 pilas AA nuevas de igual marca, de acuerdo con el diagrama de polaridad en la tapa de las baterías.
3. Vuelva a colocar la tapa de las baterías.





Reemplace las baterías si el indicador de rayo/batería (b) comienza a parpadear en lugar de emitir una luz fija.

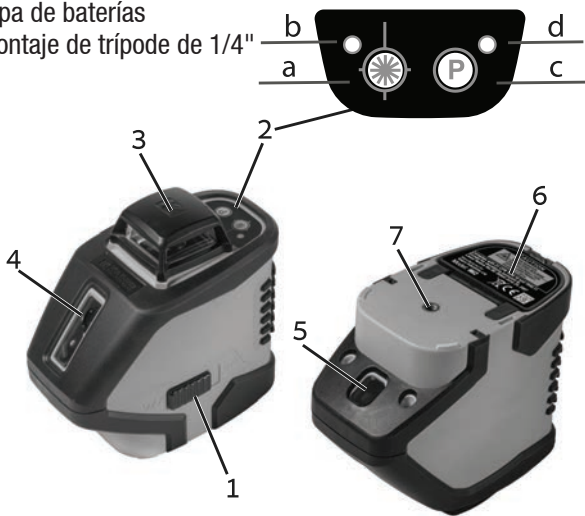
 **ADVERTENCIA:**

Las baterías pueden deteriorarse, producir fugas o explosiones, y pueden causar lesiones o incendios.

1. No acorte los terminales de las baterías.
2. No deseche las baterías en la basura hogareña.
3. No deseche las baterías en el fuego.
4. Las baterías defectuosas o gastadas deben desecharse de acuerdo con las normativas locales.
5. Mantenga las baterías fuera del alcance de los niños.

VISIÓN GENERAL

1. Interruptor de bloqueo de encendido/apagado (On/Off)
2. Teclado
 - a. Selector de rayos/Botón de modo manual
 - b. Indicador de rayos / batería
 - c. Botón de modo pulso
 - d. Indicador de modo pulso
3. Ventana de rayo láser horizontal
4. Ventana de rayo láser vertical delantera
5. Ventana de punto de plomada inferior
6. Tapa de baterías
7. Montaje de trípode de 1/4"





INSTRUCCIONES DE OPERACIÓN

Trabajo en modo automático (auto-nivelación):

En modo automático, el nivel láser se nivelará en el rango de $\pm 3^\circ$, y proyectará un rayo horizontal 360° , un rayo vertical y 2 puntos de plomada.

1. Retire el láser del estuche y colóquelo sobre una superficie plana sólida y libre de vibraciones, o sobre un trípode.
2. Presione el interruptor de bloqueo #1 a la posición ON. El nivel láser proyectará todos los rayos: un rayo horizontal 360° , un rayo vertical y 2 puntos de plomada. Se encenderá el indicador de rayos (b).
3. Presione el botón selector de rayos (a) para elegir los rayos láser necesarios, por ciclo:
Todos los rayos => Solo rayo horizontal => Solo rayo vertical => Rayos horizontal + vertical => Solo puntos de plomada => Todos los rayos.
4. Si la pendiente inicial del nivel láser está más allá de $\pm 3^\circ$ y está activado el modo automático, los rayos láser parpadean. En este caso, cambie la posición del nivel láser colocándolo sobre una superficie más nivelada.
5. Antes de mover el nivel láser, cambie el interruptor de bloqueo #1 a la posición OFF, esto bloqueará el péndulo y protegerá su nivel láser.

Trabajar en modo manual:

En modo manual, el mecanismo de auto-nivelación del 962 está desactivado, y los rayos láser se pueden ajustar a cualquier pendiente que se requiera

1. Verifique que el interruptor de bloqueo #1 esté en la posición OFF.
2. Presione y sostenga durante 3 segundos el botón selector de rayos (a), para activar el modo manual. El nivel láser proyectará todos los rayos: un rayo horizontal 360°, un rayo vertical y 2 puntos de plomada, que parpadearán cada 3 segundos para indicar que el rayo no está nivelado. Se encenderá el indicador de rayos (b).
3. Para marcar una pendiente, incline el láser hasta el ángulo deseado.
4. Para elegir un rayo, presione brevemente el botón selector de rayos.
(a)- este cambiará los rayos por ciclo:
Todos los rayos => Solo rayo horizontal => Solo rayo vertical => Rayos horizontal + vertical => Solo puntos de plomada => OFF.
5. El último clic en el botón selector de rayos (a) apagará (OFF) todos los rayos y se apagará el indicador de rayos(b).
6. Mientras se está en modo Manual, al cambiar el interruptor de bloqueo #1 de OFF a ON, se desactivará el modo Manual, El modo de auto-nivelación automática se activará (si el nivel láser está dentro del rango de auto-nivelación).



Trabajar en modo de Pulsos con un detector:

Para trabajar al aire libre bajo la luz solar directa o bajo condiciones de mucho brillo, y para los alcances de interior extendidos hasta 50 metros, utilice el modo de pulsos con un Detector. Cuando se activa el modo de pulsos, los rayos láser parpadearán a muy alta frecuencia (invisible para el ojo humano). Esto permitirá que el detector detecte los rayos láser.

1. El modo de pulsos puede ser activado en los modos Automático y Manual.
2. Encienda el nivel láser (al modo requerido).
3. Presione el botón de modo de pulsos (c) para activarlo. Se encenderá el indicador de modo de pulsos (d). Visualmente, se reducirá ligeramente la intensidad del rayo.
4. Encienda el detector y busque el rayo láser.
5. Se puede elegir un rayo diferente presionando en el botón selector de rayos (a) mientras se está en modo Pulso.
6. Para apagar el modo Pulso, presione el botón de modo Pulso (c), y se apagará en indicador de modo Pulso (d).

MANTENIMIENTO

Para mantener la exactitud de su proyecto, verifique la precisión de su nivel láser de acuerdo con los procedimientos de pruebas de calibración de campo.

- Cambie las baterías cuando los rayos láser comiencen a atenuarse.
- Limpie el lente de apertura y el cuerpo del nivel láser con un paño suave y limpio. No utilice disolventes.
- Aunque el nivel láser es resistente al polvo y la suciedad en cierta medida, no lo almacene en lugares polvorientos, ya que una exposición de largo plazo podría dañar las piezas móviles internas.
- Si el nivel láser se expone al agua, séquelo antes de guardarlo en el estuche de transporte, para impedir daños de corrosión.
- Quite las baterías si no utiliza el nivel láser durante un largo periodo de tiempo, para evitar daños de corrosión.



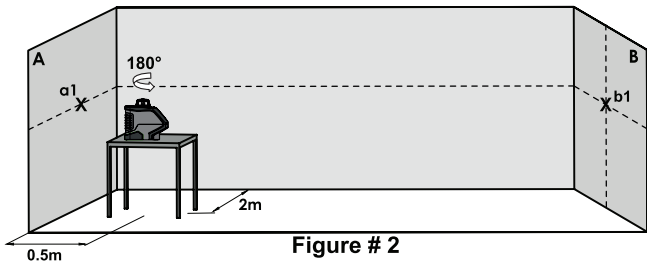
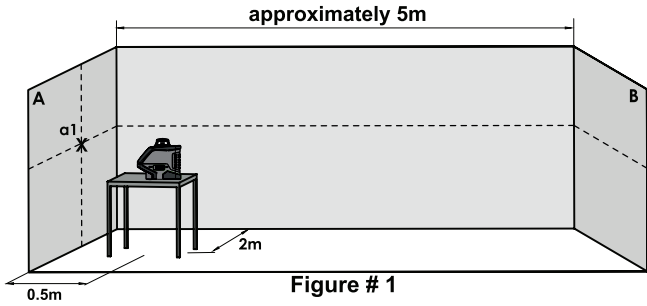
PRUEBA DE CALIBRACIÓN DE CAMPO

Este nivel láser ha salido de fábrica totalmente calibrado. Kapro recomienda que el usuario compruebe la precisión del láser periódicamente, especialmente si la unidad se cae, o cuando se manipula en forma indebida.

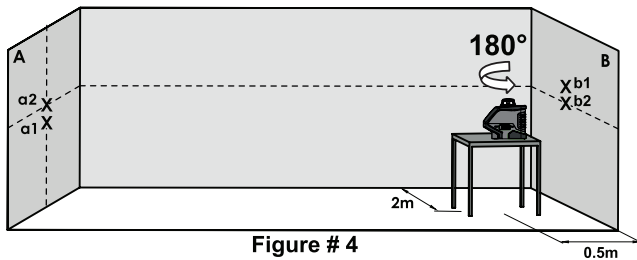
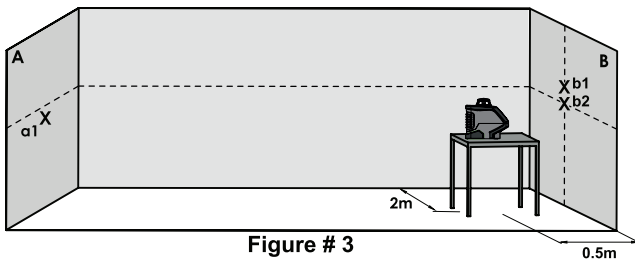
1. Compruebe la precisión de la altura del rayo horizontal.
2. Compruebe la precisión de nivelación del rayo horizontal.
3. Compruebe la precisión de nivelación del rayo vertical.
4. Compruebe la precisión de la línea de plomada.

1. Comprobación de la precisión de la altura del rayo horizontal. (desviación hacia abajo y hacia arriba)

1. Instale el láser sobre un trípode o sobre una superficie estable entre dos paredes A y B, separadas por unos 5 metros/16 pies.
2. Posicione el nivel láser aproximadamente a 0.5 metros de la pared A.
3. Desbloquee el péndulo y pulse el botón para proyectar las líneas cruzadas verticales y horizontales hacia la pared A.
4. Marque en la pared el centro de las líneas cruzadas como a1 (ver la figura # 1).
5. Gire el láser 180° hacia la pared B y marque el centro de las líneas cruzadas como b1 en la pared (ver la figura 2).



6. Mueva el nivel láser hacia la pared B y posicónelo aproximadamente a 0.5 metros de la pared B.
7. Marque en la pared B el centro de las líneas cruzadas como b2 (ver la figura 3).
8. Gire el láser 180° hacia la pared A, y marque en la pared el centro de los rayos cruzados como a2 (ver la figura 4).



9. Mida las distancias:

$$\Delta a = |a_2 - a_1|$$

$$\Delta b = |b_1 - b_2|$$

10. La diferencia $|\Delta a - \Delta b|$ no debe ser de más de 3 mm, si no es así envíe el nivel láser a un técnico cualificado para su reparación.

2. Comprobación de la precisión de nivelación del rayo horizontal. (inclinación de lado a lado)

1. Instale el láser sobre un trípode o sobre una superficie plana a una distancia de aproximadamente 1.5 metros de una pared de 5 metros/16 pies de largo.
2. Desbloquee el péndulo y pulse el botón para proyectar los rayos cruzados verticales y horizontales hacia aproximadamente el centro de la pared.

3. Marque el punto a1 en la pared, en el medio de la línea horizontal en el lado izquierdo de la pared (ver la figura 5).

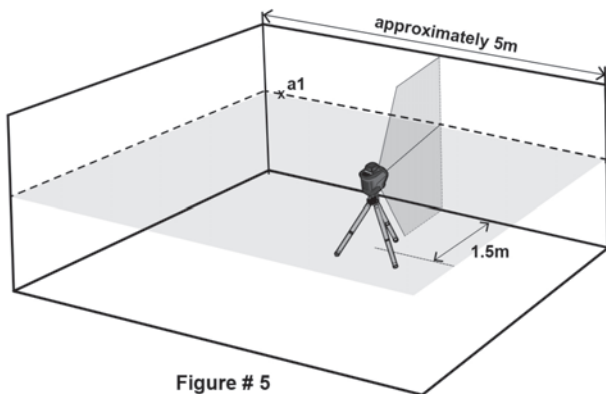


Figure # 5

- Gire el nivel láser en sentido contrario de las manecillas del reloj hasta que la sección cruzada de los rayos se mueva aproximadamente 90° , marque un punto a_2 en la pared cerca de a_1 en medio del rayo horizontal (ver la figura 6).
- La distancia entre a_1 y a_2 no debe ser de más de 1.5 mm, si no es así envíe el nivel láser a un técnico cualificado para su reparación.

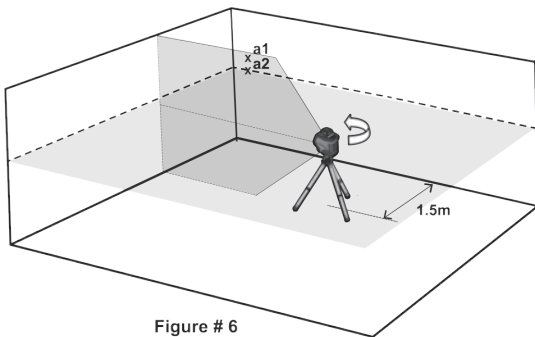
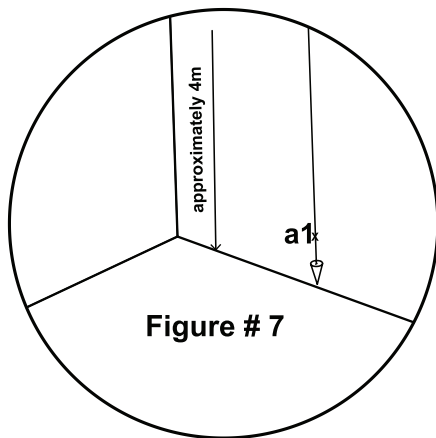


Figure # 6

3. Comprobación de la precisión del rayo vertical.

1. Cuelgue una plomada de aproximadamente 4 metros/13 pies en una pared.
2. Después de asentada la plomada, marque el punto a1 en la pared, detrás de la línea de plomada, cerca del cono de la plomada. (ver la figura 7).



3. Instale el láser sobre un trípode o sobre una superficie plana frente a la pared, a una distancia de aproximadamente 2 metros/6.5 pies.
4. Desbloquee el péndulo, y pulse el botón para proyectar el rayo vertical hacia la línea de plomada.
5. Gire el láser de modo que el rayo vertical se fusione con la línea de plomada por debajo del punto de suspensión.
6. Marque el punto a2 en la pared, en el medio del rayo vertical a la misma altura de a1. (ver la figura 8).
7. La distancia entre a1 y a2 no debe ser de más de 1.5 mm, si no es así envíe el nivel láser a un técnico cualificado para su reparación.

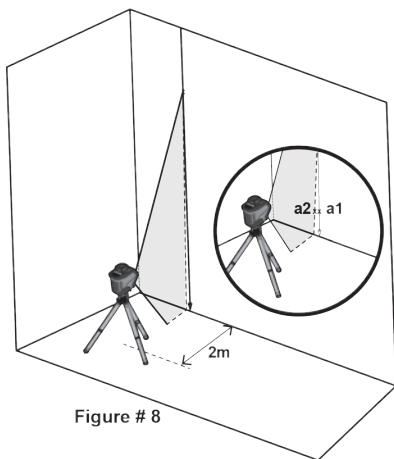


Figure # 8

4. Comprobación de la precisión de la plomada

Para este procedimiento se necesita un espacio de aproximadamente 5m de distancia entre piso y cielorraso.

1. Coloque el nivel láser en el piso.
2. Desbloquee el péndulo y presione el botón selector de rayos para proyectar los puntos de plomada de láser en el cielorraso y en el piso.
3. Marque el centro del punto de plomada superior en el cielorraso como punto a1. (Ver la figura 9).
4. Marque el centro del punto de plomada inferior en el cielorraso como punto b. (Ver la figura 9).

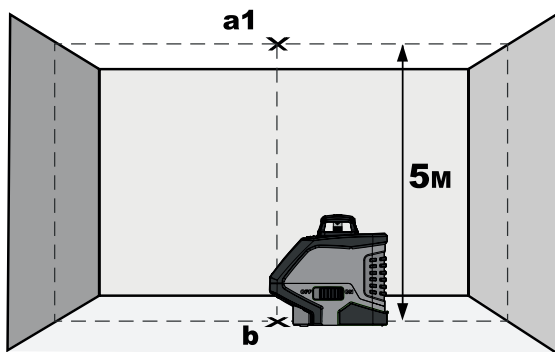


Figure # 9

5. Gire el nivel láser 180°, posicónelo de modo que el centro del punto de plomada inferior esté en el punto b, que ya ha sido marcado, y posibilite la nivelación.
6. Marque el centro del punto de plomada superior en el cielorraso como punto a2. (ver la figura 10).
7. La distancia entre los puntos a1 y a2 marcada en el cielorraso es indicación de la desviación real de la línea entre los puntos de plomada de la línea de plomada ideal. La distancia entre a1 y a2 no debe ser de más de 4 mm, si no es así envíe el nivel láser a un técnico cualificado para su reparación.

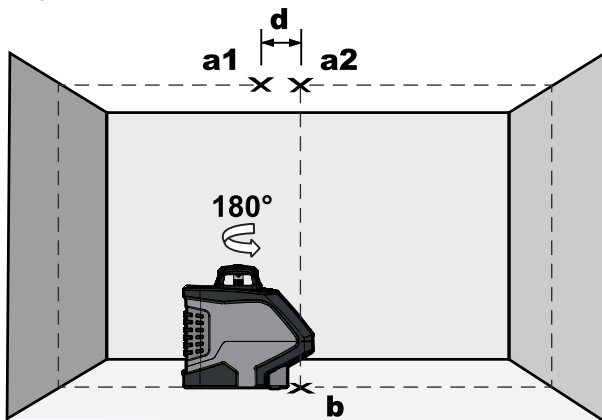


Figure # 10



ESPECIFICACIONES

Patrón de salida rayos láser	<ul style="list-style-type: none">• Horizontal 360°• Rayos horizontal y vertical• Puntos de plomada• Todos los rayos y puntos
Alcance del láser	<ul style="list-style-type: none">• En interiores - 30m (100 pies)• Con detector - 50m (165 pies)
Precisión	±0.3mm/m (±0.0003"/")
Alcance de auto-nivelación	±3°
Ancho del rayo láser	2 mm±0.5mm/5m (0.10" ±0.02" a 20')
Longitud de onda	625-645nm - Láser de Clase II
Fuente de alimentación	4 baterías AA alcalinas
Vida útil de baterías	Hasta 12 horas de funcionamiento continuo
Temperatura de operación	°10- C + °45 C (°14F °113+F)
Temperatura de almacenamiento	°10- C + °45 C (°14F °113+F)
Resistente al agua y al polvo	IP65
Dimensiones	119 x 62 x 115 mm 4.7" x 2.44" x 4.53"
Peso incluyendo las baterías	620gr ± 10gr (22 oz ± 0.35 oz)

GARANTÍA

Este producto está cubierto por una garantía limitada de dos años contra defectos de materiales y fabricación. La garantía no cubre productos que se usen inapropiadamente, se alteren o reparen sin la aprobación de Kapro Tools. En caso de algún problema con el nivel láser, devuelva el producto al lugar de compra con el comprobante de compra.

Modelo #962

La etiqueta con el número de serie se encuentra dentro del compartimiento de baterías.

CERTIFICADO DE CONFORMIDAD CE

Este producto cumple con las normas de Compatibilidad Electromagnética (EMC) establecidas por la Directiva Europea 2014/30/EU y la Directiva de Bajo Voltaje (LVD) 2014/35/EU

DECLARACIÓN DE CONFORMIDAD CE

Declaramos bajo nuestra responsabilidad que el producto 962 está de acuerdo con los requerimientos de la Comunidad

Directivas y reglamentos

2014/30/EU

2011/65/EU

EN60825-1: 2014

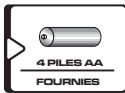
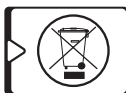
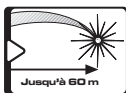
EN61326-1: 2013

Nous vous félicitons pour votre achat du Laser rotatif 962 Prolaser® Multi Beam de Kapro. Vous êtes en possession de l'un des instruments laser les plus avancés du marché. Ce manuel décrit comment tirer le meilleur parti de votre outil laser.

APPLICATIONS

Le laser rotatif 962 Prolaser® Multi Beam est un niveau laser intérieur/extérieur doté de 3 diodes laser qui émet une ligne circulaire horizontale, une ligne verticale et deux points d'aplomb. De conception innovante, ce laser se destine à de très nombreuses tâches professionnelles ou de bricolage, notamment :

- Pose d'étagères et de placards
- Pose de carrelage sol et mur
- Installation de cloisons sèches et de plafonds acoustiques
- Encadrement et alignement de portes et fenêtres
- Nivellement de prises électriques, canalisations, montants, etc.
- Nivellement de pente pour escaliers, rampes, toits, etc.
(mode manuel)



REMARQUE

Conservez ce mode d'emploi à titre de référence.

CONTENU

• Fonctions	52
• Consignes de sécurité	53-54
• Installation des piles et sécurité	55-56
• Vue d'ensemble	57
• Utilisation	58-60
• Entretien	61
• Test d'étalonnage	62-71
• Caractéristiques	72
• Garantie	73



FONCTIONS

- Ce laser émet un faisceau horizontal à 360° et un faisceau vertical qui se croisent sur le mur devant l'appareil, ainsi que deux points laser d'aplomb, au sol et au plafond
- Auto-nivellement en mode automatique lorsque le laser est placé dans sa plage d'auto-nivellement ($\pm 3^\circ$)
- Témoin lumineux lorsque le niveau laser est hors plage de nivellement
- Le mode impulsion émet des impulsions détectables par un détecteur
- Portée maximale en intérieur : 30m (100')
- Portée maximale de détection du laser en mode impulsion: 50 mètres (165')
- Pour une vision optimale de la ligne verticale, positioner le laser à 2 mètres au moins du mur
- Protection IP65 contre l'eau et la poussière
- Système de verrouillage de protection du balancier pour le transport
- Adaptateur trépied 1/4" (filetage 5/8" sur l'adaptateur)
- Boîtier profilé antichoc en caoutchouc
- Support magnétique polyvalent.
- Chargeur.

REMARQUE

Cet appareil contient des pièces de précision sensibles aux chocs externes, aux impacts et à la chute, cela pourrait compromettre sa fonctionnalité. Manipuler avec soin pour maintenir sa précision.

CONSIGNES DE SÉCURITÉ



ATTENTION

Ce produit émet un rayonnement de classe 2 selon la norme EN 60825 -1



Le rayonnement laser peut entraîner de graves lésions oculaires

- Ne pas regarder dans le faisceau laser
- Ne pas placer le faisceau laser de sorte qu'il pointe en direction de vos yeux ou des yeux d'autrui
- Ne pas utiliser le niveau laser à proximité d'enfants ou laisser des enfants utiliser le niveau laser
- Ne pas regarder dans le faisceau laser avec un matériel optique grossissant, des jumelles ou un télescope par exemple, pouvant aggraver les lésions oculaires.



ATTENTION: Ce produit contient des soudures au plomb et certaines pièces électriques contiennent des produits chimiques connus de l'État de Californie pour causer le cancer, des malformations congénitales ou des dangers pour la reproduction (section 25249.6, proposition 65 du Code de santé et de sécurité de la Californie)

- Ne pas retirer ou dégrader les étiquettes d'avertissement apposées sur le niveau laser
- Ne pas démonter le niveau laser, le rayonnement laser peut gravement endommager l'œil.
- Ne pas faire chuter l'appareil
- Ne pas employer de solvant pour nettoyer l'appareil
- Ne pas utiliser à des températures inférieures à - 10°C ou supérieures à 45°C (14°F - 113°F)
- Ne pas utiliser en environnement inflammable tel qu'en présence de liquides, gaz ou poussières inflammables. Les étincelles de l'outil sont inflammables.
- Lorsqu'il n'est pas utilisé, éteindre l'appareil, retirer les piles, verrouiller le balancier et placer le laser dans sa sacoche de transport.
- S'assurer que le mécanisme de verrouillage du balancier est engagé avant de transporter le laser

REMARQUE

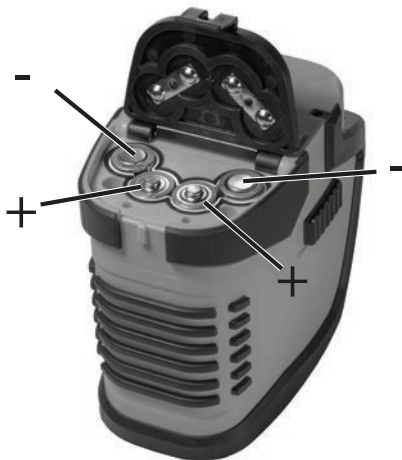
Le non verrouillage du balancier avant le transport est susceptible d'endommager le mécanisme interne.

INSTALLATION DES PILES ET SÉCURITÉ

Le laser 962 Prolaser® Multi Beam utilise 4 piles AA standard.

Installation

1. Appuyez sur l'ergot du cache du compartiment à piles.
2. Insérez 4 piles AA neuves de même marque en respectant le schéma de polarité figurant sur le cache du compartiment à piles.
3. Refermez le cache du compartiment à piles.





Remplacez les piles si le témoin faisceau/charge (b) clignote au lieu de s'allumer en continu.

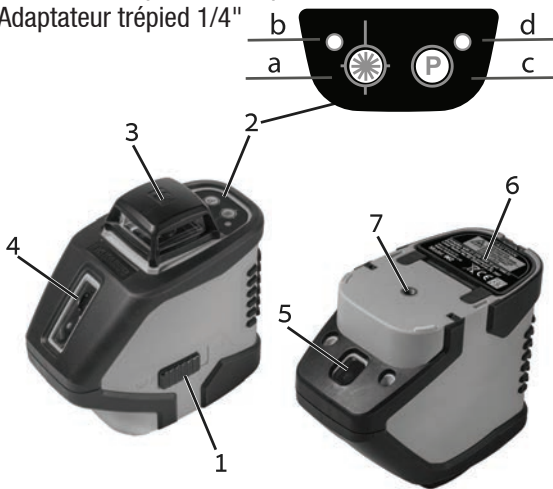


ATTENTION: les piles peuvent se détériorer, fuir ou exploser, et causer des blessures ou provoquer un incendie.

1. Ne pas raccourcir les bornes des piles.
2. Ne pas jeter les piles aux ordures ménagères.
3. Ne pas jeter les piles au feu.
4. Les piles défectueuses ou usagées doivent être mises au rebut conformément à la réglementation locale.
5. Tenir les piles hors de portée des enfants.

PRÉSENTATION

1. Interrupteur On/Off
2. Pavé de touches
 - a. Bouton Sélecteur de faisceau/Mode manuel
 - b. Témoin Indicateur de faisceau/charge des piles
 - c. Bouton mode impulsion
 - d. Témoin de mode impulsion
3. Fenêtre de projection du faisceau laser horizontal
4. Fenêtre de projection du faisceau laser vertical avant
5. Fenêtre point d'aplomb bas
6. Cache de compartiment à piles
7. Adaptateur trépied 1/4"



Fonctionnement en mode automatique (auto-nivellement) :

En mode automatique, le niveau laser s'auto-nivelle lui-même dans une plage de $\pm 3^\circ$ et projette un faisceau 360° horizontal, une ligne verticale, et deux points d'aplomb.

1. Retirez le laser du boîtier de protection et placez-le sur une surface ferme, plane et sans vibration, ou sur un trépied.
2. Poussez l'interrupteur n°1 en position ON. Le niveau laser projette tous les faisceaux : un faisceau horizontal à 360° , un faisceau vertical et 2 points d'aplomb. Le témoin lumineux de faisceau (b) s'illumine.
3. Appuyez sur le bouton de sélection de faisceau (a) pour choisir le faisceau laser par cycle :
Tous les faisceaux => Faisceau horizontal seulement => Faisceau vertical seulement => Faisceaux horizontal + vertical => Points à plomb seulement => Tous les faisceaux.
4. Si le nivellement initial du laser est supérieur à $\pm 3^\circ$ et que le mode automatique est engagé, les faisceaux lasers clignotent. Dans ce cas, placez le niveau sur une surface plus plane.
5. Avant de déplacer le niveau laser, placez l'interrupteur de verrouillage n°1 en position OFF afin de verrouiller le pendule et protéger votre niveau laser.

Utilisation en mode manuel :

En mode manuel, le mécanisme d'auto-nivellement du 962 est désengagé et les lignes laser peuvent être définies sur n'importe quelle inclinaison.

1. Vérifiez que le bouton de verrouillage n°1 est en position OFF.
2. Appuyez pendant 3 secondes sur le bouton de sélection de faisceau (a) pour engager le mode manuel. Le niveau laser projette tous les faisceaux : un faisceau horizontal à 360°, un faisceau vertical et 2 points d'aplomb qui clignotent toutes les 3 secondes pour Indiquer que le faisceau n'est pas nivelé. Le témoin lumineux de faisceau (b) s'illumine.
3. Pour marquer une inclinaison, inclinez le laser à l'angle désiré.
4. Pour choisir un faisceau, appuyez brièvement sur le bouton de sélection de faisceau (a) - Il passe d'un faisceau à l'autre par cycle:
Tous les faisceaux => Faisceau horizontal seulement => Faisceau vertical seulement => Faisceaux horizontal + vertical => Points à plomb seulement => OFF.
5. Un dernier appui sur le bouton de sélection de faisceau (a) éteint tous les faisceaux et le témoin de faisceau (b) s'éteint.
6. En mode manuel, le fait de faire passer l'interrupteur de verrouillage n°1 de OFF à ON désengage le mode manuel. L'auto-nivellement est activé si le niveau laser se trouve dans la portée d'auto-nivellement.

Utilisation en mode impulsion avec un détecteur :

En cas d'utilisation sous la lumière solaire directe ou dans des conditions lumineuses élevées, ou à l'intérieur, à une portée supérieure à 50 mètres, utilisez le mode impulsion avec détecteur. Lorsque le mode impulsion est engagé, les faisceaux laser clignotent à très haute fréquence (invisible à l'œil humain). Cela permet au détecteur de détecter les faisceaux laser.

1. Le mode impulsion peut être engagé en mode automatique et en mode manuel.
2. Allumez le niveau laser (au mode désiré).
3. Appuyez sur le bouton mode impulsion (c) pour l'engager. Le témoin Mode impulsion (d) s'illumine. Visuellement, l'intensité du faisceau est légèrement réduite.
4. Allumez le détecteur et cherchez le faisceau laser.
5. Vous pouvez choisir un autre faisceau en appuyant sur le bouton de sélection de faisceau (a) lorsque vous êtes en mode Impulsion.
6. Pour désengager le mode Impulsion, appuyez sur le bouton du mode Impulsion (c) et le témoin du mode Impulsion (d) s'éteint.

ENTRETIEN

Afin de garantir la précision de votre projet, vérifiez l'exactitude de votre niveau en procédant aux opérations de vérification de l'étalonnage.

- Remplacez les piles lorsque l'intensité lumineuse des faisceaux laser diminue.
- Nettoyez la fenêtre de projection et le boîtier du niveau laser uniquement à l'aide d'un chiffon propre et doux. N'utilisez pas de solvants.
- Bien que le niveau laser soit résistant à l'eau et à la poussière, ne le remisez pas en un endroit poussiéreux, une longue exposition étant susceptible d'endommager les pièces mobiles internes.
- Si le niveau laser est mouillé, séchez le niveau laser avant de le ranger dans son boîtier de transport pour éviter tout risque de corrosion.
- Retirez les piles en cas de non utilisation prolongée pour éviter tout risque de corrosion.



TEST D'ÉTALONNAGE SUR SITE

Le niveau laser quitte l'usine entièrement étalonné. Kapro recommande que le niveau soit vérifié régulièrement, ou lorsque l'appareil subit une chute ou une mauvaise manipulation.

1. Vérifiez la précision de hauteur du faisceau horizontal.
2. Vérifiez la précision de nivellement du faisceau horizontal.
3. Vérifiez la précision de nivellement du faisceau vertical.
4. Vérifiez la précision de la ligne d'aplomb.
1. Vérification de la précision de hauteur du faisceau horizontal. (écart haut/bas)

1. Placez le laser sur un trépied ou une surface ferme et plane, entre deux murs A et B distants d'environ 5 mètres.

2. Positionnez le niveau laser à environ 50 cm du mur **A**.
3. Déverrouillez le balancier pour projeter les faisceaux horizontal et vertical croisés vers le mur **A**.
4. Marquez le croisement des faisceaux sur le mur comme point a1 (Voir illustration 1).
5. Tourner le laser à 180° en direction du mur B et marquer le centre du faisceau croisé b1.

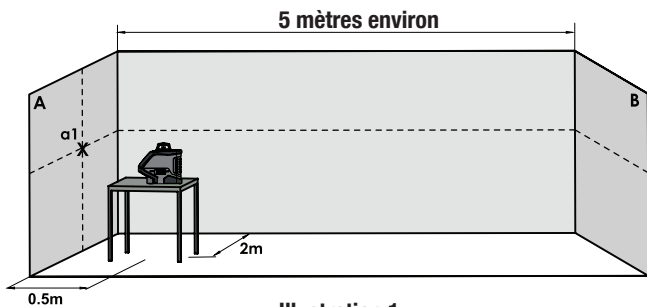


Illustration 1

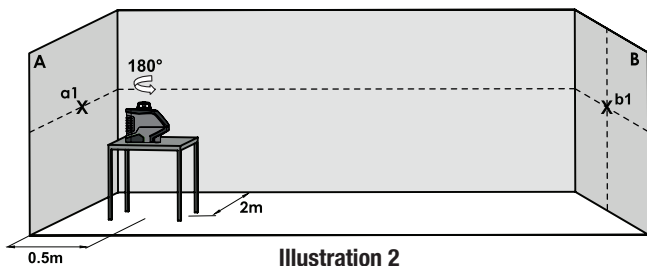
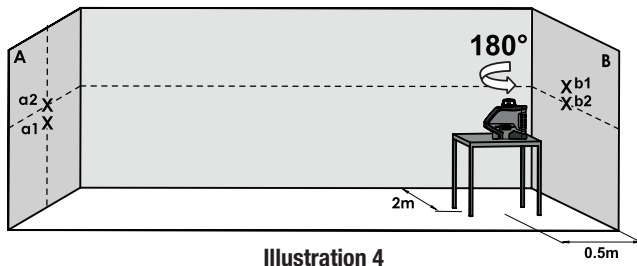
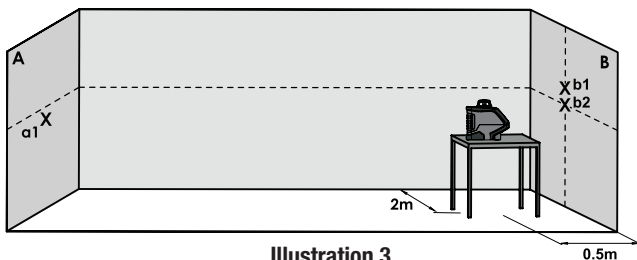


Illustration 2

6. Déplacez le niveau laser vers le mur **B** et positionnez-le à environ 50 cm du mur **B**.
7. Sur le mur **B**, marquez comme point b2 le croisement des faisceaux (voir illustration 3).
8. Tourner le laser à 180° end direction du mur A et marquer le centre du faisceau croisé a2.



9. Mesurez les distances :

$$\Delta a = |a_2 - a_1|$$

$$\Delta b = |b_1 - b_2|$$

10. La différence ($\Delta a - \Delta b$) doit être inférieure à 3 mm. Dans le cas contraire, le niveau laser doit être examiné par un technicien agréé.

2. Vérification de la précision de nivellement du faisceau horizontal (inclinaison latérale)

1. Placez le laser sur un trépied ou une surface plane, à une distance d'environ 1,5 m d'un mur de 5 m de long.
2. Déverrouillez le balancier et appuyez sur le bouton pour projeter les faisceaux transversaux horizontal et vertical vers le mur, approximativement au centre de celui-ci.

3. Marquez le point a1 sur le mur, au milieu de la ligne horizontale du côté gauche du mur (voir illustration 5).

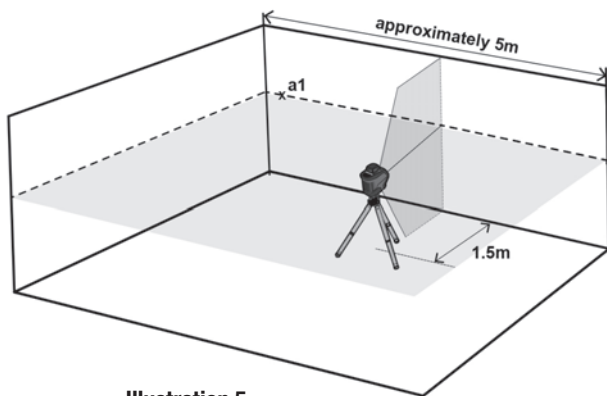


Illustration 5

4. Tournez le niveau laser dans le sens antihoraire jusqu'à ce que le point de croisement des faisceaux se déplace d'environ 90° , et marquez le point a2 sur le mur à côté du point a1 au milieu du faisceau horizontal (voir illustration 6).
5. La distance entre a1 et a2 doit être inférieure à 1,5 mm. Dans le cas contraire, le niveau laser doit être examiné par un technicien agréé.

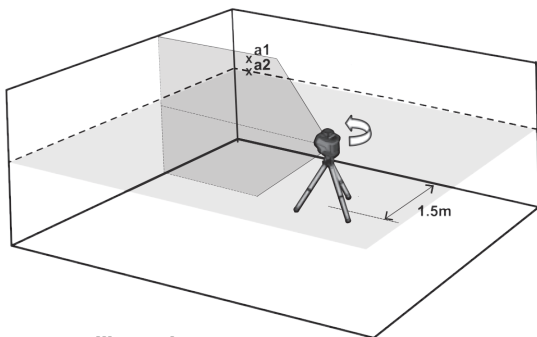
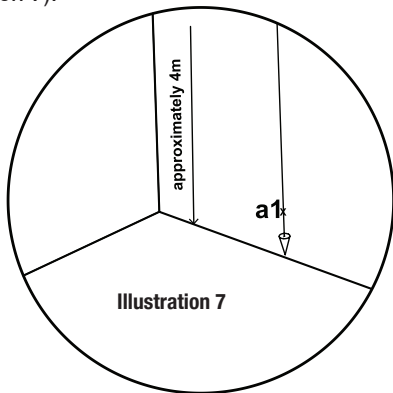


Illustration 6

3. Vérification de la précision du faisceau vertical

1. Suspendez à un mur un fil à plomb d'environ 4 mètres.
2. Une fois le fil à plomb stabilisé, marquez le point a1 sur le mur, derrière le fil d'aplomb, à côté du plomb.
(voir illustration 7).



3. Placez le laser sur un trépied ou une surface plane face au mur, à une distance d'environ 2 mètres.

4. Déverrouillez le balancier et appuyez sur le bouton pour projeter le faisceau vertical en direction du fil à plomb.

Tournez le laser afin que le faisceau vertical se superpose avec la ligne d'aplomb sous le point de suspension.

Sur le mur, marquez le point a2 au milieu du faisceau vertical et à la même

hauteur que a1 (voir illustration 8).

La distance entre a1 et a2 doit être inférieure à 1,5mm. Dans le cas contraire, le niveau laser doit être examiné par un technicien agréé.

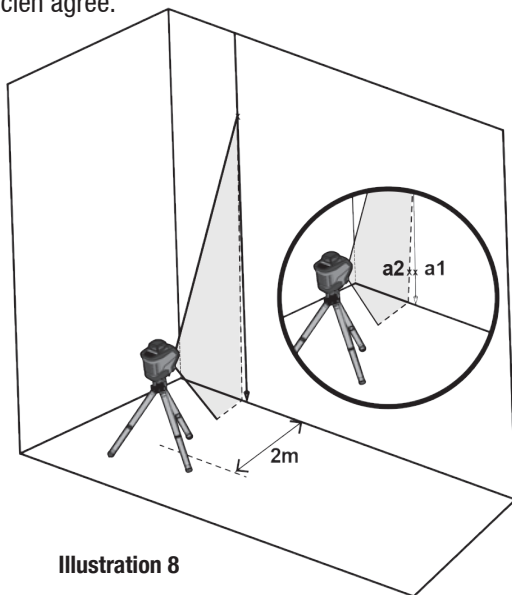


Illustration 8

4. Vérification de la précision de l'aplomb

1. Pour cette procédure, il est nécessaire de disposer d'une pièce dont la distance entre le sol et le plafond est d'environ 5 mètres.
2. Placez le niveau laser sur le sol.
3. Déverrouillez le balancier et appuyez sur le bouton de sélection de faisceau pour projeter les points laser d'aplomb au plafond et au sol.
Marquez le centre du point d'aplomb haut au plafond comme point a1. (voir illustration 9).
4. Marquez le centre du point d'aplomb bas au sol comme point b (voir illustration 9).

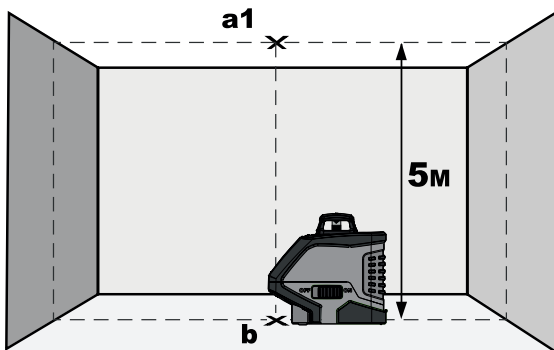


Illustration 9

5. Faites pivoter le niveau laser de 180° , positionnez-le de sorte que le centre du point d'aplomb bas se trouve sur le point b, qui a déjà été marqué, et laissez-le se mettre à niveau.
6. Marquez le centre du point d'aplomb haut au plafond comme point a2. (voir illustration 10).
7. La distance entre les points a1 et a2 marqués au plafond est une indication de l'écart réel de la ligne entre les points d'aplomb par rapport au fil à plomb idéal. La distance entre a1 et a2 doit être inférieure à 4 mm. Dans le cas contraire, le niveau laser doit être examiné par un technicien agréé.

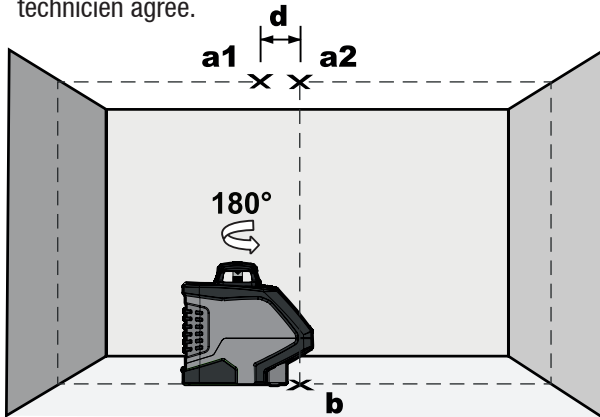


Illustration 10



CARACTÉRISTIQUES

Caractéristiques des faisceaux laser	<ul style="list-style-type: none">• Horizontal 360°• Lignes horizontales et verticale• Points d'aplomb• Toutes les lignes et points
Portée laser	<ul style="list-style-type: none">• Intérieur : 30m (100ft)• Avec détecteur : 50m (165ft)
Précision	± 0,3mm/m (± 0,0003 in/in)
Plage de nivellement automatique	± 3°
Largeur de ligne laser	2 mm ± 0,5 mm à 5 m (0,10" (± 0,02") à 20')
Longueur d'onde	625-645 nm - laser de classe 2
Alimentation	4 piles alcalines AA
Autonomie	Jusqu'à 12 heures de fonctionnement continu
Température de fonctionnement	-10°C - 45°C (14°F-113°F)
Température d'entreposage	-20°C - 60°C (-4°F -140°F)
Résistance à l'eau et à la poussière	IP65
Dimensions	119 x 62 x 115 mm
Poids avec piles	4,7" x 2,44" x 4,53"
	620 g ± 10 g (22 oz ± 0.35 oz)

GARANTIE

Ce produit est couvert par une garantie limitée de deux ans contre tout défaut matériel et de fabrication. Elle ne couvre pas les produits utilisés de façon inappropriée, modifiés ou réparés sans l'autorisation de Kapro. En cas de problème avec le produit laser que vous avez acquis, ramenez le produit au lieu d'achat avec la preuve d'achat.

Modèle n° 962

L'étiquette de numéro de série se trouve à l'intérieur du compartiment à piles.

CERTIFICAT DE CONFORMITÉ CE

Ce produit est conforme aux normes de compatibilité électromagnétique (EMC) établies par la directive européenne 2014/30/UE et la directive basse tension (LVD) 2014/35/UE.

DÉCLARATION DE CONFORMITÉ CE

Nous déclarons sous notre responsabilité que le produit 962 est conforme aux exigences des directives et règlements communautaires suivants :

2014/30/EU

2011/65/EU EN60825-1: 2014

EN61326-1: 2013

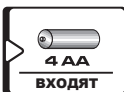
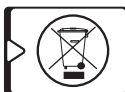
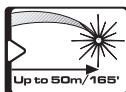
Компания Карпо благодарит вас за выбор 962 Prolaser® Multi Beam Orbital. Теперь вам принадлежит один из самых передовых из существующих лазерных инструментов. Это руководство поможет вам эксплуатировать инструмент с максимальной эффективностью.

ОБЛАСТИ ПРИМЕНЕНИЯ

962 Prolaser® Multi Beam Orbital - инновационный уровень с тремя лазерными диодами, который проецирует горизонтальную круговую (360°) линию, вертикальную линию и две точки отвеса.

Он позволяет выполнять самые различные профессиональные и любительские работы, в том числе:

- Установка подвесных шкафов и полок
- Облицовка полов и стен плиткой
- Монтаж гипсокартонных стен/перегородок и подвесных потолков
- Установка окон и дверей
- Расположение электрических и сантехнических коммуникаций а также стоек и опор
- Наклонная разметка для лестниц, балок, крыш и т.д. (в ручном режиме)



ПРИМЕЧАНИЕ Сохраните это руководство для последующего использования.

СОДЕРЖАНИЕ

• Функции	76
• Техника безопасности	77-78
• Установка батарей и безопасность	79-80
• Общий вид	81
• Инструкция по эксплуатации	82-84
• Обслуживание	85
• Полевая проверка калибровки	86-94
• Технические характеристики	95
• Гарантия	96



СОДЕРЖАНИЕ

- Этот лазерный прибор автоматически выравнивается по горизонтальной и вертикальной плоскостям.
- Лазерный уровень проецирует 1 горизонтальную круговую (360°) линию и 1 вертикальную линию с пересечением на стене перед уровнем, а также две точки отвеса - на полу и на потолке.
- Автоматическое самовыравнивание в пределах диапазона самовыравнивания ($\pm 3^\circ$).
- Визуальное предупреждение (мигание лучей) для положения вне диапазона самовыравнивания.
- В импульсном режиме проецирует лазерные лучи которые могут быть обнаружены детектором.
- Максимальная рабочая дальность лазера в помещении - 30 м
- Максимальная рабочая дальность лазера в импульсном режиме - 50м.
- Для оптимального обзора вертикальной линии: расположите лазер на расстоянии не менее 2 метров от стены.
- Ручной режим для разметки под наклоном.
- Механизм блокировки для защиты маятника во время транспортировки.
- Защита от влаги и пыли уровня IP65
- Резьба под штатив 1/4"
- Ударопрочный обрешиненый корпус.
- Многофункциональное магнитное крепление.
- Питание от 4-х обычных батареек формата AA.

ПРЕДУПРЕЖДЕНИЕ

Этот прибор содержит точные детали чувствительные к ударам, сотрясениям или падениям, которые могут нарушить его функциональность - обращайтесь с осторожностью для сохранения точности устройства.

ТЕХНИКА БЕЗОПАСНОСТИ

ПРЕДУПРЕЖДЕНИЕ

Этот прибор является источником излучения, которое относится к Классу II в соответствии со стандартом EN 60825 -1

Лазерное излучение может привести к серьезным повреждениям глаз



- Не допускайте попадания лазерного луча в глаза
- Не устанавливайте лазерный уровень так, чтобы он мог непреднамеренно ослеплять вас или других людей.
- Не используйте лазерный уровень вблизи детей и не позволяйте детям использовать лазерный уровень.
- Не допускайте попадания лазерного луча в глаза через увеличительные оптические устройства, такие как бинокль или телескоп, так как это повышает степень повреждения глаз.

⚠ ПРЕДУПРЕЖДЕНИЕ: Этот прибор содержит свинец в припое, также некоторые электрические части содержат химические вещества, которые известны в штате Калифорния как вызывающие рак, дефекты у новорождённых или другие нарушения репродуктивной функции.

(Кодекс Здоровья и Безопасности штата Калифорния, Раздел 25249.6 положение 65)



- Не удаляйте и не искажайте предупреждающие надписи на лазерном уровне.
- Не разбирайте лазерный уровень, лазерное излучение может привести к серьезным повреждениям глаз.
- Не роняйте лазерный уровень.
- Не используйте растворители для очистки лазерного уровня.
- Не используйте при температуре ниже -10°C или выше 45°C
- Не используйте лазер во взрывоопасных средах, таких как легковоспламеняющиеся жидкости, газы или пыль. Искра от прибора может вызвать возгорание.
- Когда устройство не используется, выключите питание, включите блокировку маятника и поместите устройство в чехол для переноски.
- Перед транспортировкой устройства убедитесь в том, что маятник заблокирован.

ЗАМЕТКА

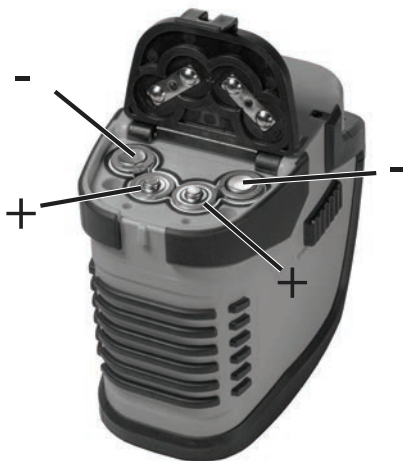
Транспортировка без блокировки маятника может привести к внутренним механическим повреждениям устройства.

УСТАНОВКА БАТАРЕЙ И БЕЗОПАСНОСТЬ

962 Prolaser® Multi Beam Orbital использует 4 щелочные батареи типа AA.

Установка:

1. Отожмите защелку крышки батарейного отсека.
2. Вставьте 4 новые батарейки типа AA в соответствии с полярностью, обозначенной на крышке батарейного отсека.
3. Закройте крышку батарейного отсека.



Замените батарейки АА, если индикатор заряда батареи (b) начинает мигать.

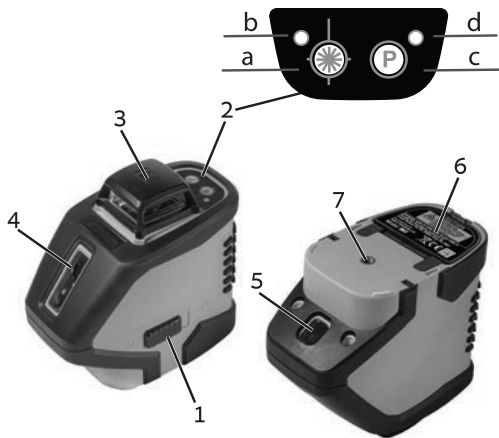


ПРЕДУПРЕЖДЕНИЕ: Батареи могут портиться, протекать или вздуться, что может привести к травмам или пожару.

1. Не закорачивайте клеммы батарей.
2. Не заряжайте щелочные батареи не предназначенные для повторной зарядки.
3. Не следует смешивать старые и новые батареи.
4. Не выбрасывайте батареи с бытовым мусором.
5. Не бросайте батареи в огонь.
6. Поврежденные или разряженные батареи должны быть утилизированы в соответствии с местными правилами.
7. Храните батареи в недоступном для детей месте.

ОБЩИЙ ВИД

1. Выключатель
2. Панель управления
 - a. Выбор луча / ручной режим
 - b. Индикатор луча / заряда батарей
 - c. Кнопка импульсного режима
 - d. Индикатор импульсного режима
3. Окно горизонтального лазера
4. Окно вертикального лазера
5. Окно нижней точки отвеса
6. Крышка батарейного отсека
7. Резьба под штатив 1/4"





ИНСТРУКЦИЯ ПО ЭКСПЛУАТАЦИИ

Работа в автоматическом режиме (самовыравнивание):

Работа в автоматическом режиме (самовыравнивание):

В автоматическом режиме лазерный уровень самовыравнивается в диапазоне $\pm 3^\circ$ и может проецировать одну горизонтальную круговую линию, одну вертикальную линию и две точки отвеса.

1. Извлеките лазер из чехла и поместите его на твердую плоскую поверхность, свободную от вибраций или на штатив.
2. Переверните выключатель # 1 в положение ON, лазерный уровень начнет проецировать все возможные лазерные линии и точки. Включится индикатор луча (b).
3. Нажимайте на кнопку Выбор луча (a) для выбора нужной комбинации линий / точек по циклу:
Все линии / точки =>Только горизонтальная линия =>Только вертикальная линия =>горизонтальная и вертикальная линии => Только точки отвеса => Все линии / точки
4. Если прибор установлен под углом более $\pm 3^\circ$ при включённом автоматическом режиме работы, лазерные линии будут мигать. В таком случае установите прибор на более ровную поверхность.
5. Перед перемещением лазерного уровня переведите выключатель # 1 в положение OFF, это активирует блокировку маятника и защитит ваш лазерный уровень.

Работа в ручном режиме:

В ручном режиме механизм самовыравнивания отключен и лазерные линии могут быть установлены под любым требуемым углом.

1. Убедитесь что выключатель # 1 находится в положении OFF.
2. Нажмите кнопку Ручной режим (а) и удерживайте её в течение примерно трёх секунд до включения прибора в ручном режиме работы. Лазерный уровень начнёт проецировать все возможные лазерные линии и точки, которая будет мигать каждые 3 секунды как напоминание о том, что самовыравнивание не задействовано. Включится индикатор луча (b).
3. Для наклонной разметки установите прибор под нужным углом.
4. Нажимайте на кнопку Выбор луча (а) для выбора нужной комбинации линий / точек по циклу:
Все линии / точки =>Только горизонтальная линия =>Только вертикальная линия =>горизонтальная и вертикальная линии => Только точки отвеса => OFF.
5. При последнем в цикле нажатии на кнопку Выбор луча (а) все лазеры выключатся и индикатор луча (b) погаснет.
6. Если во время работы в ручном режиме перевести выключатель # 1 из положения ON в положение OFF, будет активирован автоматический режим работы и прибор начнёт самовыравниваться (при условии положения уровня в пределах диапазона самовыравнивания).

Работа в импульсном режиме с детектором:

Для наружных работ под прямым солнечным светом или в условиях яркого освещения а также для увеличения рабочей дистанции в помещении до 50 метров, используйте импульсный режим с детектором.

При активированном импульсном режиме проецируемые лазерные линии мигают с очень высокой частотой (неуловимой для человеческого глаза), что позволяет обнаруживать их с помощью детектора.

1. Импульсный режим может быть активирован как в автоматическом, так и в ручном режиме работы.
2. Включите прибор в нужном режиме.
3. Для включения импульсного режима нажмите кнопку импульсного режима (с). Загорится индикатор импульсного режима (d) и яркость лазерной линии несколько уменьшится.
4. Включите детектор и приступите к поиску лазерной линии.
5. Вы можете выбрать требуемые линии нажатиями на кнопку Выбор луча (a).
6. Для выключения импульсного режима нажмите импульсного режима (с). Индикатор импульсного режима (d) погаснет и яркость лазерной линии увеличится.

ОБСЛУЖИВАНИЕ

Для сохранения точности в работе регулярно проверяйте калибровку вашего лазерного уровня в соответствии с процедурой проверки калибровки в полевых условиях.

- Замените батарейки если индикатор заряда батареи (b) начнет мигать и/или лазерные лучи начинают тускнеть.
- Очищайте окошки лазеров и корпус уровня только чистой мягкой тканью. Не используйте растворители.
- Хотя лазерный уровень в некоторой степени защищён от пыли и грязи, не храните его в запыленных местах, долгосрочное загрязнение может привести к повреждению внутренних подвижных частей.
- Если на лазерный уровень попала вода, высушите его полностью перед возвращением в футляр чтобы предотвратить коррозию.
- Извлеките батарейки, если лазерный уровень не используется в течение длительного периода времени, чтобы предотвратить коррозионные повреждения в случае протечки батареек.

Завод-изготовитель поставляет лазерные уровни в полностью откалиброванном виде. Компания KAPRO рекомендует проверять уровень на регулярной основе, а также после каждого падения или нарушения правил эксплуатации инструмента.

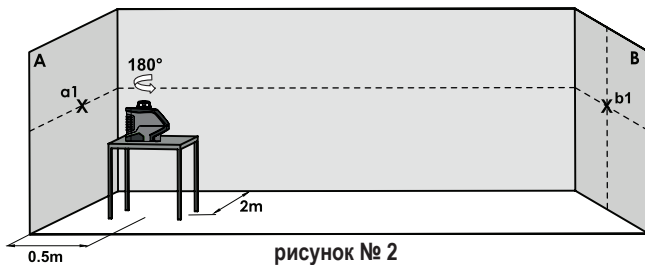
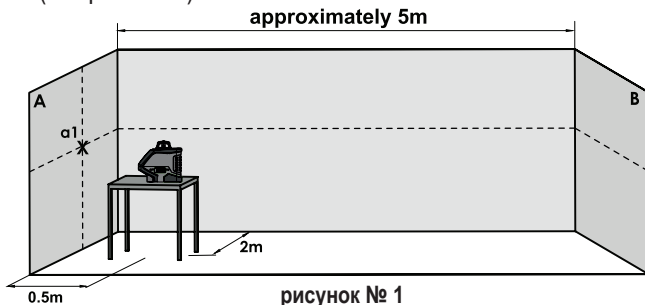
1. Проверьте калибровку горизонтальной линии по высоте.
2. Проверьте точность выравнивания горизонтальной линии.
3. Проверьте точность выравнивания вертикальной линии.
4. Проверьте калибровку точек отвеса.

1. Проверка калибровки горизонтальной линии по высоте.

(разница высоты линии на ближней и дальней цели)

1. Установите лазер на штатив или на твердую поверхность между двумя стенами **A** и **B**, находящимися приблизительно в 5 м друг от друга.
2. Установите лазерный уровень примерно в 0,5 м от стены **A**
3. Разблокируйте маятник и выберите проекцию перекрещенных горизонтальной и вертикальной линий на стену **A**.
4. Отметьте на стене **A** точку пересечения линий как **a1** (см. рис. № 1).
5. Поверните лазер на 180° в сторону стены **B** и отметьте на ней точку пересечения линий как **b1** (см. рис. № 2).

6. Переместите лазерный уровень и установите его примерно в 0,5 м от стены В.
7. Отметить на стене В точку пересечения линий как **b2** (см. рис. № 3).
8. Разверните уровень на 180° в сторону стены А и отметьте на стене А точку пересечения линий как **a2** (см. рис. № 4).



9. Измерьте расстояния:

$$\Delta a = | a_2 - a_1 |$$

$$\Delta b = | b_1 - b_2 |$$

10. Разность $| \Delta a - \Delta b |$ не должна превышать 3 мм, в противном случае отправьте лазерный уровень к квалифицированному специалисту для калибровки.

2. Проверка точности выравнивания горизонтальной линии. (Разница высот правого и левого конца линии)

1. Установите лазер на штатив или на твердую поверхность на расстоянии примерно 1,5 м от стены, ширина которой примерно 5 м.
2. Разблокируйте маятник и выберите проекцию перекрещенных горизонтальной и вертикальной линий на стену.

3. Отметьте точку a_1 на стене на левом конце горизонтальной линии (см. рис. № 5).

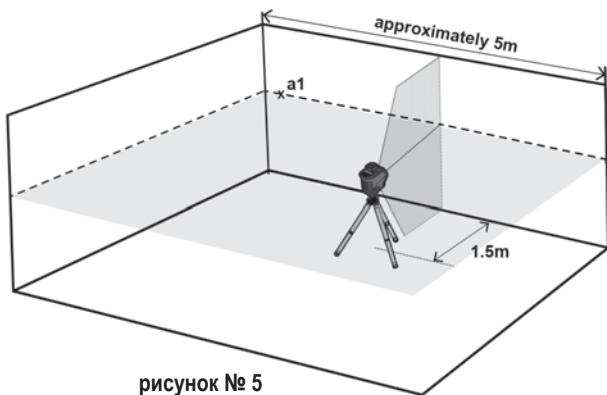


рисунок № 5

4. Разверните лазерный уровень против часовой стрелки так, чтобы правый конец горизонтальной линии оказался вблизи точки a_1 , отметьте точку a_2 на стене (см. рис. № 6).
5. Расстояние по вертикали между точками a_1 и a_2 , не должно превышать 1.5 мм, в противном случае отправьте лазерный уровень квалифицированному технику на калибровку.

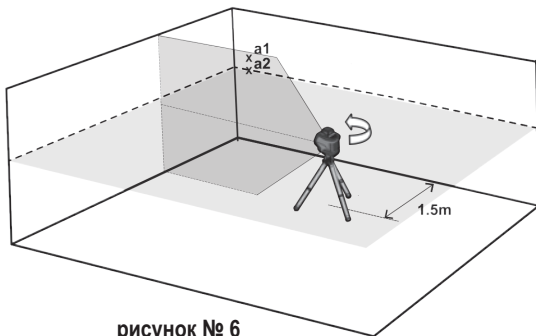
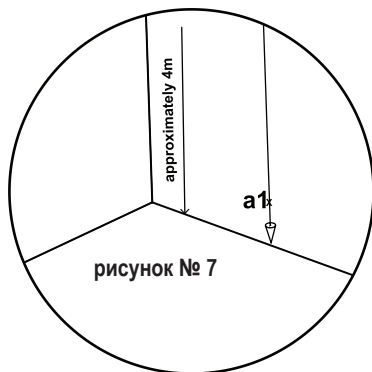


рисунок № 6

3. Проверка точности вертикальной линии.

1. Подвесьте отвес приблизительно 4 метра длиной вплотную к стене.
2. После того, как отвес стабилизируется, отметьте точку a_1 на стене по линии отвеса вблизи грузила. (см. рис. № 7).



3. Установите лазер на штатив или на твердую поверхность на расстоянии около 2 метров перед стеной.
4. Разблокируйте маятник, и выберите проекцию вертикальной линии в направлении отвеса.
5. Поверните уровень так, чтобы вертикальная линия совпала с отвесом в верхней его части.

6. Отметьте точку a_2 на стене на той же высоте, что и a_1 . (см. рис. № 8).
7. Расстояние по горизонтали между a_1 и a_2 , не должно превышать 1.5мм, в противном случае отправьте лазерный уровень квалифицированному технику на калибровку.

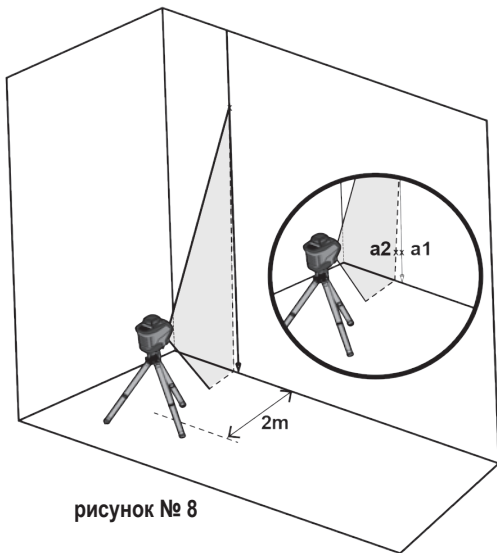


рисунок № 8

4. Проверка калибровки точек отвеса.

Для этой процедуры понадобится комната с расстоянием от пола до потолка ок. 5 м.

1. Поставьте лазерный уровень на пол.
2. Разблокируйте маятник и выберите проекцию точек отвеса на потолок и на пол.
3. Отметьте центр верхней точки отвеса на потолке как точку a1. (См. Рисунок 9)
4. Отметьте центр нижней точки отвеса на полу как точку b. (См. Рисунок 9).

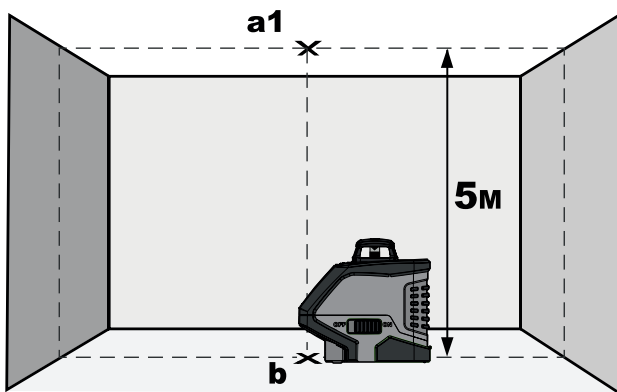


рисунок № 9

5. Поверните лазерный уровень на 180° , расположите его так, чтобы центр нижней точки отвеса совпал с ранее отмеченной точкой b , и подождите стабилизации маятника.
6. Отметьте центр верхней точки отвеса на потолке как точку a_2 . (См. Рисунок 10)
7. Расстояние между точками a_1 и a_2 , отмеченными на потолке является показателем фактического отклонения линии между точками отвеса от идеально отвесной линии.
Расстояние между точками a_1 и a_2 не должно превышать 4 мм, в противном случае отправьте лазерный уровень квалифицированному технику на калибровку.

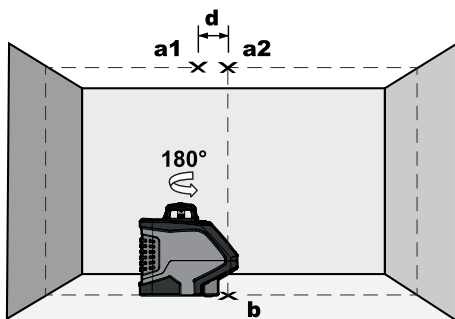


рисунок № 10

ТЕХНИЧЕСКИЕ ХАРАКТЕРИСТИКИ

Проецируемые лазерные линии	<ul style="list-style-type: none">• Горизонтальная 360 °• Горизонтальная и вертикальная линии• Точки отвеса• Все линии и точки
Максимальная дальность	<ul style="list-style-type: none">• В помещении - 30m (100ft)• С приёмником - 50m(165ft)
Погрешность	$\pm 0.3\text{mm/m}$ ($\pm 0.0003\text{in/in}$)
Диапазон самовыравнивания	$\pm 3^\circ$
Ширина лазерной линии	2 mm \pm 0.5mm/5m (0.10" \pm 0.02" at 20')
Длина волны	625-645 Laser Class II
Питание	4 батарейки формата AA (входят в комплект)
Ресурс батареек	до 12-ти часов непрерывной работы
Рабочая температура	-10° C + 45° C (14°F +113°F)
Температура хранения	-20° C +60° C (-4°F +140°F)
Степень защиты от попадания воды и пыли	IP65
Габаритные размеры	119 x 62 x 115 mm 4.7" x 2.44" x 4.53"
Масса с батарейками	620gr \pm 10gr (22 oz \pm 0.35 oz)



ГАРАНТИЯ

На изделие распространяется двухлетняя гарантия отсутствия дефектов материалов и изготовления. Нарушения правил эксплуатации, изменения конструкции или самостоятельный ремонт приводят к аннулированию гарантии.

При появлении проблем с приобретенным лазерным уровнем, верните его в место покупки, приложив подтверждение покупки.

Модель: № 962

Наклейка с серийным номером расположена на нижней части изделия.

СЕРТИФИКАТ СООТВЕТСТВИЯ CE

Этот продукт соответствует стандартам Электромагнитной Совместимости (СЕМ) установленным Европейской директивой 2014/30/EU и Регламентом для устройств низкого напряжения 2014/35/EU.

ДЕКЛАРАЦИЯ О СООТВЕТСТВИИ

Мы заявляем под нашу ответственность, что устройство 962 соответствует требованиям следующих директив и правил Европейского Сообщества:

2014/30/EU

2011/65/EU

EN60825-1: 2014

EN61326-1: 2013











Rev. 3.0

© 2020 Kapro Industries Ltd.