



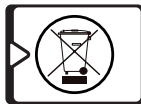
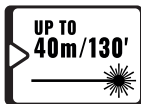
# Prolaser® Cross Line Laser

Model No. 852G



scan for other languages

**User Manual**  
**Manual del usuario**  
**Manuel d'utilisation**  
**Руководство по эксплуатации**

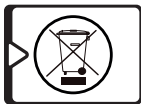
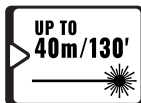


Thank you for purchasing Kapro's 852G GREEN Prolaser® Cross Line. You now own one of the most advanced laser tools available. This manual will show you how to get the most out of your laser tool.

## APPLICATIONS

The 852G GREEN Prolaser® Cross Line is innovatively designed for a very broad range of professional and DIY jobs, including:

- Aligning tiles, cabinets, borders, moldings and trimmings
- Doors and windows installation
- All types of DIY jobs, including hanging shelves, pictures and more



### NOTE

**Keep this user manual for future reference.**

# CONTENTS

• <b>Features</b>	<b>4</b>
• <b>Safety instructions</b>	<b>5-6</b>
• <b>Battery installation &amp; Safety</b>	<b>7-8</b>
• <b>Overview</b>	<b>9</b>
• <b>Operating instructions</b>	<b>10-12</b>
• <b>Maintenance</b>	<b>13</b>
• <b>Field calibration test</b>	<b>14-19</b>
• <b>Specifications</b>	<b>20</b>
• <b>Warranty</b>	<b>21</b>



## FEATURES

- Automatically determine the horizontal and vertical plains
- Intersecting horizontal and vertical line projection
- Self-level in automatic mode when the laser is positioned within its self-leveling range
- Visual "out of leveling range" warning
- Pulse mode - emits pulses that can be detected by a detector
- The max. detectable range of the laser in pulse mode is 40m (130')
- Manual mode allows angular layout/marking
- Locking mechanism to protect the pendulum during transportation
- 1/4" tripod adaptor
- Shock resistant rubberised casing
- Compact size – fits in your toolbox

### NOTE

**This device contains precision components sensitive to external shock, impact or falls that may compromise its functionality. Handle with care to maintain its accuracy.**

# SAFETY INSTRUCTIONS



## WARNING

**This product is emitting radiation that is classified  
As class II according to EN 60825 -1**

The laser radiation can cause serious eye injury



- Do not stare into the laser beam
- Do not position the laser beam so that it unintentionally blinds you or others.
- Do not operate the laser level near children or let children operate the laser level.
- Do not look into a laser beam using magnifying optical devices such as binoculars or a telescope, as this will increase the level of eye injury.



**WARNING:** This product contains lead in solder and certain Electrical parts contain chemicals which are known to the State of California to cause cancer, birth defects or other Reproductive harm.

(California Health & Safety Code Section 25249.6- Proposition 65)



## NOTE

**The green goggles are intended to enhance the visibility of the laser beam. They will not protect your eyes against laser radiation.**



- Do not remove or deface warning labels on the laser level
- Do not disassemble the laser level. Laser radiation can cause serious eye injury
- Do not drop the laser
- Do not use solvents to clean the laser
- Do not use in temperatures below -10°C or above 45°C (14°F / 113°F)
- Do not operate the laser in explosive atmospheres such as flammable liquids, gases or dust sparks from the tool can cause ignition
- When not in use, turn off the power, engage the pendulum lock and place the laser in the carrying pouch
- Make sure the pendulum lock mechanism is engaged before transporting the laser

#### **NOTE**

**If the pendulum lock mechanism is not engaged before transportation, internal mechanical damage may occur.**

## BATTERY INSTALLATION & SAFETY

1. Press down on the latch and open the battery cover.
2. Insert 3 new AA batteries of the same brand according to the polarity diagram on the inside of the battery cover.
3. Close the battery cover.



### Lithium-Ion Battery (optional) Installation

1. Press down on the latch to open the battery cover.
2. Insert a fully charged Li-Ion battery according to the polarity diagram on the inside of the battery cover.
3. Close the battery cover.
4. Can be charged with any 5V charger and Type-C USB cable.



**NOTE**

**If the laser level will not be used for a long period, remove the batteries from the battery compartment. This will prevent batteries from leaking and corrosion damage.**



**WARNING:** Batteries can deteriorate, leak or explode, and can cause injury or fire.

1. Do not shorten the battery terminals.
2. Do not charge Alkaline batteries.
3. Do not mix old and new batteries.
4. Do not dispose of batteries into household waste.
5. Do not dispose batteries in fire.
6. Defective or dead batteries must be disposed according to local regulations.
7. Keep the batteries out of reach of children.



# OVERVIEW

## 1. On/Off Locking Switch

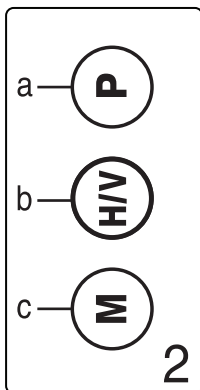
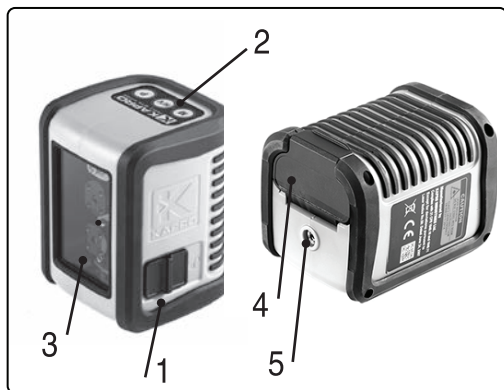
## 2. Keypad

- Pulse Mode button
- Beam Selector button
- Manual Mode button

## 3. Laser output window

## 4. Battery cover

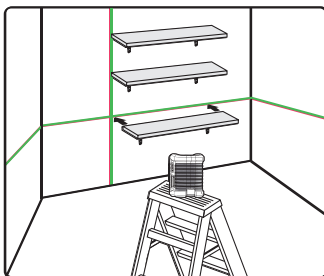
## 5. 1/4" tripod mount



## Working in Automatic mode (self-leveling):

In automatic mode the laser level will level itself in the range of  $\pm 3^\circ$  and will project a horizontal line, vertical line or both lines simultaneously.

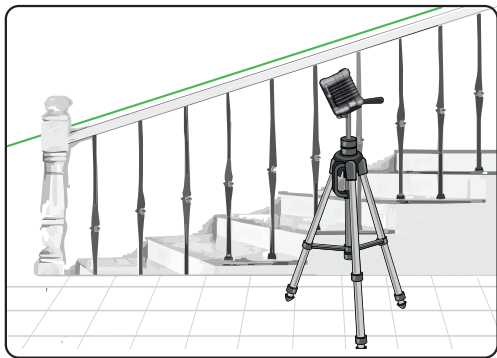
1. Remove the laser from its case and place it on a solid, flat, vibration free surface or on a tripod.
2. Slide the locking switch #1 to the **ON** position. The laser level will generate the crossed horizontal and vertical lines.
3. Choose the beams that you want to work with by pressing the **H/V** button.
4. If the initial slope of the laser is beyond  $\pm 3^\circ$  and the automatic mode is activated, the laser lines will **flash**. In this case, reposition the laser on a leveled surface.
5. Before moving the laser level, switch the laser to **OFF**. This will lock the pendulum and protect your laser.



## Working in Manual mode:

In Manual mode, the 852G's self-leveling mechanism is disabled and the laser lines can be set at any slope required. The laser beams will flash every 3 seconds to let you know that you are working without the self-leveling and the beams may not be leveled.

1. Press the Manual push button mode **M**. The laser will project the cross lines.
2. Choose the beams that you want to work with by pushing the Beam Selector push button **H/V**.
3. To mark a slope, tilt the laser using to reach the required angle.
4. To turn the manual mode off, press again the Manual push button **M**.
5. While in Manual mode sliding the locking switch #1 from **OFF** to **ON** will turn off the Manual mode. The automatic self – leveling will be activated if the laser level is within the self – leveling range.



### **Working in Pulse mode with a detector:**

For outdoor work under direct sunlight, or bright light conditions, and for extended indoor ranges up to 40 meters, use the Pulse mode with a detector.

When the pulse mode is activated, the laser lines will flash at a very high frequency (invisible to the human eye). This will allow the detector to detect the laser lines. The pulse mode can be activated in both Automatic and Manual modes.

1. To turn the Pulse mode on, press the **P** button.
2. When activated, a slight reduction in laser line brightness will occur.
3. To turn the Pulse mode off, press the **P** button again.
4. Laser lines brightness will return to previous brightness.

## MAINTENANCE

To maintain the accuracy of your project, check the accuracy of your laser level according to the field calibration tests procedures.

- Change the batteries when the laser beams begin to dim.
- Wipe the aperture lens and the body of the laser level with a clean soft cloth. Do not use solvents.
- Although the laser level is dust and dirt resistant to a certain degree, do not store in dusty places as a long term exposure may damage internal moving parts.
- If the laser level is exposed to water, dry the laser level before returning it to the carrying case to prevent corrosion damages.
- Remove the batteries if the laser level is not used for a long period of time to prevent corrosion damages.

This laser level left the factory fully calibrated.

Kapro recommends that the user will check the accuracy of the laser periodically, or if the unit falls or is mishandled.

To do so first check the height accuracy of the horizontal line, then check the levelling accuracy of the horizontal line, and finally check the leveling accuracy of the vertical line.

### **Checking the Height Accuracy of the Horizontal Line. (Up and down deviation)**

- 1) Set up the laser on a tripod or on a solid surface between two walls **A** and **B**, approximately 5 meters apart.
- 2) Position the laser level approximately 0.5 meter from wall **A**
- 3) Unlock the pendulum and press the button to project the horizontal and the vertical cross lines towards wall **A**.
- 4) Mark on the wall the center of the cross lines as **a1** (see figure # 1).

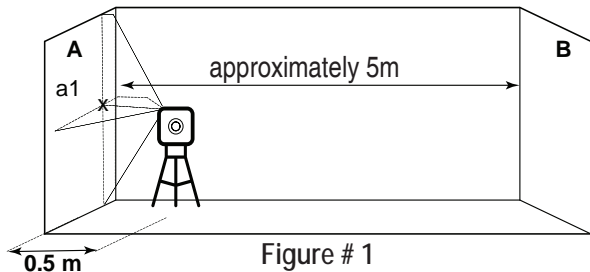


Figure # 1

- 5) Turn the laser 180° towards wall **B**, and mark on the wall the center of the cross lines as **b1** (see figure 2).

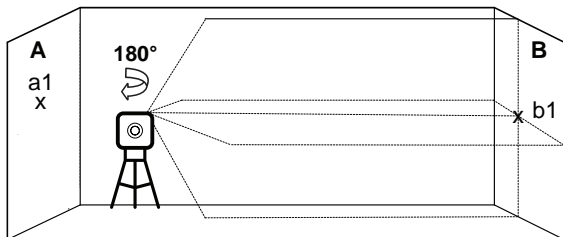


Figure # 2

- 6) Move the laser level towards wall **B** and position it approximately 0.5 meter from wall **B**.
- 7) Mark on wall **B** the center of the cross lines as **b2** (see figure 3).

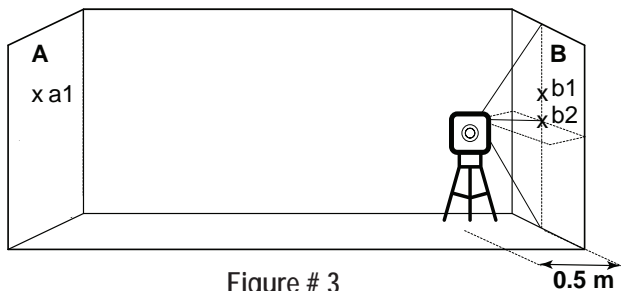


Figure # 3

- 8) Turn the laser 180° towards wall **A**, and mark on the wall the center of the cross lines as **a2** (see figure 4).

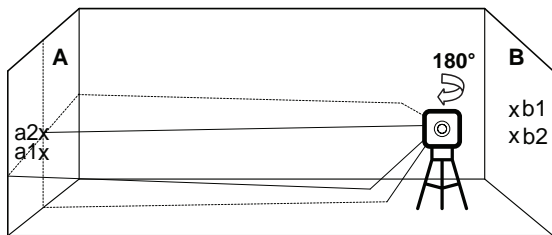


Figure # 4

- 9) Measure the distances:

$$\Delta a = |a2 - a1|$$

$$\Delta b = |b1 - b2|$$

- 10) The difference  $|\Delta a - \Delta b|$  should not be more than 3 mm, otherwise to send the laser level to a qualified technician for repairs.

### Checking the Level Accuracy of Horizontal Line. (Side to side inclination)

- 1) Set up the laser on a tripod or on a solid surface at a distance of approximately 1.5 meters from a wall 5 meter long.
- 2) Unlock the pendulum and press the button to project the horizontal and the vertical cross lines towards the wall.



- 3) Mark point **a1** on the wall, in the middle of the horizontal line at the left edge of the horizontal line (see figure 5).

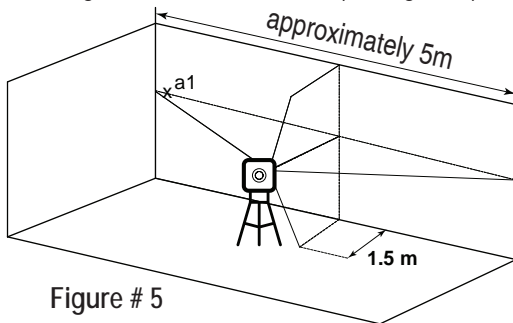


Figure # 5

- 4) Turn the laser level counterclockwise until the right edge of the horizontal line reach's near **a1**, mark a point **a2** on the wall in the middle of the horizontal line (see figure 6).

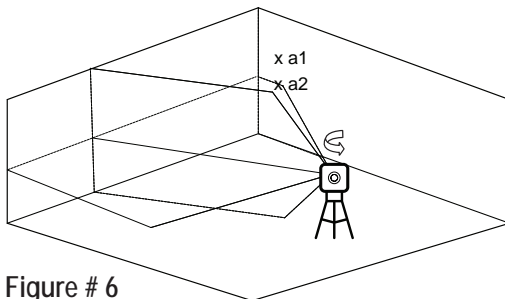
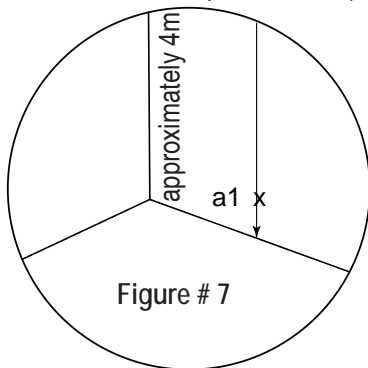


Figure # 6

- 5) The distance between **a1** and **a2**, should not be more than 1.5mm otherwise to send the laser level to a qualified technician for repairs.

### Checking the Accuracy of the Vertical line.

- 1) Hang approximately 4 meter plumb line on a wall.
- 2) After the plumb line has settled, Mark point **a1** on the wall behind the plumb line near the plumb cone. (see figure 7).



- 3) Set up the laser on a tripod or on a solid surface in front of the wall at a distance of approximately 2 meters.
- 4) Unlock the pendulum, and press the button to project the vertical line toward the plumb line.
- 5) Turn the laser so that the vertical line will merge with the plumb line below the hanging point.

- 6) Mark point **a2** on the wall, in the middle of the vertical line at the same height of **a1**. (see figure 8).

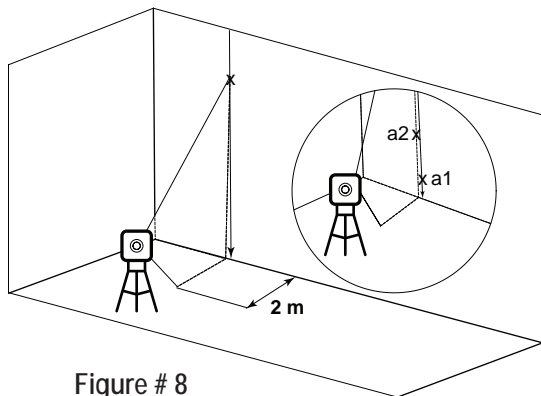


Figure # 8

- 7) The distance between **a1** and **a2**, should not be more than 1.5mm, otherwise to send the laser level to a qualified technician for repairs.



## SPECIFICATIONS

Laser beams output pattern	Vertical and horizontal cross lines Horizontal line Vertical line
Laser range	• Indoor - up to 20m (65ft) • Outdoor with detector up to 40m (130ft)
Accuracy	$\pm 0.3\text{mm/m}$ ( $\pm 0.0003\text{in/in}$ )
Fan angle	$120^\circ \pm 5^\circ$
Self-leveling range	$\pm 3^\circ$
Laser line width	2 mm $\pm 0.5\text{mm}/5\text{m}$ (0.10" $\pm 0.02$ " at 20')
Wavelength	515 $\pm 5\text{nm}$ - Laser Class II
Power supply	3 AA batteries included 3.7V Li-Ion battery pack (optional)
Battery life	up to 15 hours of continuous operation Li-Ion battery pack – up to 7hr
Operating temp	-10° C + 45° C (14°F +113°F)
Storage temp	-20° C +70° C ( -4°F +140°F)
Water & dust proof	IP54
Dimensions	8.6cm x 6.4cm x 6.6cm (3.4" x 2.5" x 2.6")
Weight included batteries	280gr $\pm 10\text{gr}$ (0.6lbs $\pm 0.35\text{oz}$ )

# WARRANTY

This product is covered by a two year limited warranty against defects in materials and workmanship. The warranty does not cover products that are used improperly, altered, or repaired without Kapro's approval, nor a process of recalibration if needed.

## REPAIR AND CALIBRATION PROCEDURE

1. If your product requires repair or calibration, please return it to the point of sale, alongside your proof of purchase.
2. After a return authorization procedure is initiated, the laser level will be sent to an authorized repair lab.
3. Once completed, the product will be returned to a point of sale of your choice for collection.

## COSTS AND WARRANTY

- Products under warranty will be shipped and repaired free of charge.
- In case of products that are not under warranty, you will be notified by the dealer of the estimated cost for the repair, before the beginning of the process.

The serial number sticker is positioned inside the battery compartment.

## CE CONFORMITY CERTIFICATE

This product meets the standards of the Electromagnetic Compatibility (EMC) established by the European Directive 2014/30/EU and the Low Voltage Directive (LVD) 2014/35/EU

## EC DECLARATION OF CONFORMITY

We declare under our responsibility that the product 852G is in accordance with the requirements of the Community Directives and Regulations:

2014/30/EU

2011/65/EU

EN60825-1: 2014

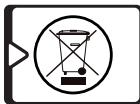
EN61326-1: 2013

Gracias por su compra del Kapro 852G Prolaser® Cross Line GREEN. Usted posee ahora una de las herramientas láser más avanzadas disponibles. Este manual le mostrará cómo sacar el máximo provecho de su herramienta láser.

## APLICACIONES

El 852G Prolaser® Cross Line GREEN está diseñado de manera innovadora para una gama muy amplia de trabajos profesionales y de bricolaje (DIY), incluyendo:

- Alineación de azulejos, armarios, bordes, molduras y ribetes
- Instalación de puertas y ventanas
- Todo tipo de trabajos de bricolaje (DIY), incluyendo colgar estanterías, cuadros y más



### NOTA

**Guarde este manual del usuario para consultarlo en el futuro.**

# ÍNDICE

• <b>Características</b>	<b>24</b>
• <b>Instrucciones de seguridad</b>	<b>25-26</b>
• <b>Instalación de baterías y Seguridad</b>	<b>27-28</b>
• <b>Descripción general</b>	<b>29</b>
• <b>Instrucciones de operación</b>	<b>30-32</b>
• <b>Mantenimiento</b>	<b>33</b>
• <b>Prueba de calibración de campo</b>	<b>34-39</b>
• <b>Especificaciones</b>	<b>40</b>
• <b>Garantía</b>	<b>41</b>



## CARACTERÍSTICAS

- Esta herramienta láser determina automáticamente los planos horizontal y vertical
- El láser proyecta la intersección de líneas horizontales y verticales
- Auto-nivel en el modo automático cuando el láser se coloca dentro de su rango de autonivelación.
- Advertencia visual y sonora para la posición "fuera de nivel"
- El modo de pulso emite pulsos que pueden ser detectados por un detector.
- El alcance máximo de detección del láser en el modo de pulso es de 40m (130').
- El modo manual permite el trazado/marcación angular
- Mecanismo de bloqueo para proteger el péndulo durante el transporte.
- Adaptador para trípode de 1/4"
- Carcasa de goma resistente a impactos
- Tamaño compacto – cabe en su caja de herramientas

### NOTA

**Este dispositivo contiene componentes de precisión sensibles a caídas o golpes e impactos externos, que pueden afectar su funcionalidad – manéjelo con cuidado para mantener su precisión.**



# INSTRUCCIONES DE SEGURIDAD



## ADVERTENCIA

**Este producto emite radiación clasificada como de Clase II según la norma EN 60825 -1**

La radiación láser puede causar lesiones oculares graves



- No mire directamente al rayo láser
- No posicione el haz de láser de modo que encieguezca sin querer a otras personas o a usted mismo.
- No opere el nivel láser cerca de niños, ni permita a los niños utilizar el nivel láser.
- No mire a un rayo láser utilizando equipos ópticos de aumento, tal como prismáticos o telescopio, ya que esto aumentará el nivel de lesión ocular.

**⚠ ADVERTENCIA:** Este producto contiene plomo en las soldaduras, y ciertas partes eléctricas contienen productos químicos que son reconocidos por el Estado de California como causantes de cáncer, defectos de nacimiento u otros daños reproductivos. (California Health & Safety Code Section 25249.6- Proposition 65)



## NOTA

**Las gafas de color verde están destinadas a mejorar la visibilidad del haz de láser. No protegerán sus ojos contra la radiación láser.**



- No quite ni destruya las etiquetas de advertencia del nivel láser.
- No desarme el nivel láser, la radiación láser puede causar lesiones oculares graves.
- No deje caer el láser.
- No utilice disolventes para limpiar la unidad láser.
- No debe usarse en temperaturas inferiores a  $-10^{\circ}\text{C}$  o superiores a  $45^{\circ}\text{C}$  ( $14^{\circ}\text{F}$  /  $113^{\circ}\text{F}$ )
- No opere el láser en atmósferas explosivas, tales como líquidos inflamables, gases o polvo. Las chispas de la herramienta pueden causar ignición.
- Cuando no esté en uso, apague la unidad, enganche el bloqueo del péndulo, y coloque el láser en el estuche de transporte.
- Asegúrese de que el mecanismo de bloqueo del péndulo esté activado antes de transportar el láser.

#### **NOTA**

**Si el mecanismo de bloqueo del péndulo no está activado antes del transporte, se podría producir daño mecánico interno.**

# INSTALACIÓN DE PILAS Y SEGURIDAD

1. Presione el pestillo hacia abajo y retire la tapa de las baterías.
2. Inserte 3 baterías AA nuevas de igual marca en el interior de la tapa de las baterías, de acuerdo con el diagrama de polaridad.
3. Vuelva a colocar la tapa de las baterías.



## Instalación de la batería de iones de litio (opcional)

1. Presione el pestillo para abrir la tapa de la batería.
2. Inserte una batería de iones de litio completamente cargada de acuerdo con el diagrama de polaridad en el interior de la tapa de la batería.
3. Cierre la tapa de la batería.
4. Se puede cargar con cualquier cargador de 5V y cable USB Tipo-C.



### **NOTA**

**Si el nivel láser no se utiliza durante un largo periodo, retire las baterías del compartimiento de baterías. Esto evitará que ocurran fugas de las baterías y daños de corrosión.**



**ADVERTENCIA:** Las baterías pueden deteriorarse, producir fugas o explosiones, y pueden causar lesiones o incendios.

1. No acorte los terminales de las baterías.
2. No recargue las baterías alcalinas.
3. No mezcle baterías viejas y nuevas.
4. No deseche las baterías en la basura hogareña.
5. No deseche las baterías en el fuego.
6. Las baterías defectuosas o gastadas deben desecharse de acuerdo con las normativas locales.
7. Mantenga las baterías fuera del alcance de los niños.

# DESCRIPCIÓN GENERAL

**1. Interruptor de bloqueo de encendido/apagado (On/Off)**

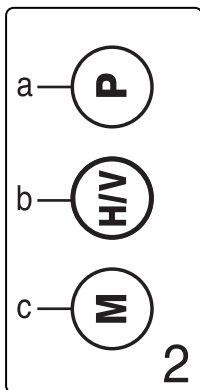
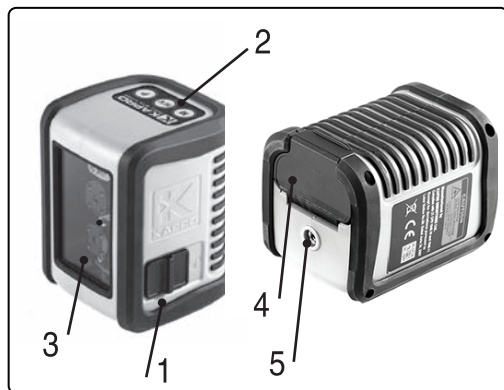
**2. Teclado**

- a. Botón de modo manual
- b. Botón selector de haz
- c. Botón de modo pulso

**3. Ventana de salida del láser**

**4. Tapa de las baterías**

**5. Montaje de trípode de 1/4"**



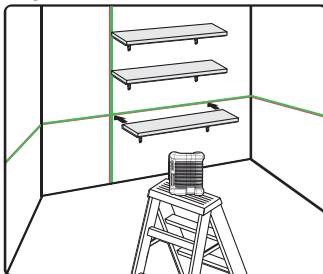
## Trabajo en modo automático (autonivelante):

En modo automático, el nivel láser se nivelará automáticamente en el rango de  $\pm 3^\circ$ , y proyectará horizontal o verticalmente o ambos rayos simultáneamente.

1. Retire el láser del estuche y colóquelo sobre una superficie plana sólida y libre de vibraciones, o sobre un trípode.
2. Gire el interruptor de bloqueo #1 a la posición **ON** (encendido); el nivel láser generará las líneas horizontales y verticales.
3. Elija los rayos con los que desea trabajar, presionando el botón pulsador de rayos **H/V**
4. Si la pendiente inicial del láser está más allá de  $\pm 3^\circ$  y está activado el modo automático, las líneas de láser parpadearán.

En este caso, reposicione el láser colocándolo sobre una superficie más nivelada.

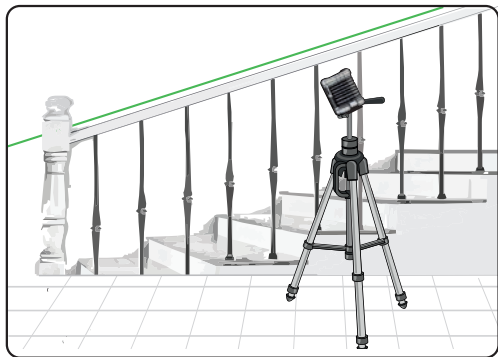
5. Antes de mover el nivel láser, cambie el interruptor de bloqueo #1 a la posición **OFF** (apagado), esto bloqueará el péndulo y protegerá su láser.



## Trabajo en modo manual:

En modo Manual, el mecanismo de auto-nivelación del 852G está desactivado, y las líneas de láser se pueden ajustar a cualquier pendiente que se requiera. Los rayos láser parpadearán cada 3 segundos para informarle que está trabajando sin la nivelación automática, y los rayos podrían no estar nivelados.

1. Presione el botón pulsador de modo Manual **M** . El láser proyectará las líneas cruzadas.
2. Elija los rayos con los que desea trabajar, presionando el botón pulsador de selección de rayos **H/V**
3. Para marcar una pendiente, incline el láser para alcanzar el ángulo requerido.
4. Para desactivar el modo manual, presione nuevamente el botón pulsador **M**
5. Mientras se está en modo Manual, al cambiar el interruptor de bloqueo #1 de **OFF** a **ON** se desactivará el modo Manual. La nivelación automática se activará si el nivel láser está dentro del rango de autonivelación.



### **Trabajo en modo de Pulsos con un detector:**

Para trabajar al aire libre bajo luz solar directa o en condiciones de mucho brillo, y para los rangos de interior extendidos hasta 40 metros, use el modo de Pulsos con un detector.

Cuando se activa el modo de pulsos, las líneas de láser parpadearán a muy alta frecuencia (invisible para el ojo humano); esto permitirá que el detector detecte las líneas de láser.

1. El modo de pulsos puede ser activado en los modos automático y manual.
2. Para activar el modo de pulsos, presione el botón **P**.
3. Cuando se enciende el modo de pulsos, la luminosidad de las líneas láser se reduce un poco.
4. Para apagar el modo de pulsos, presione nuevamente el botón **P**, la luminosidad de las líneas láser se incrementará.



## MANTENIMIENTO

Para mantener la exactitud de su proyecto, verifique la precisión de su nivel láser de acuerdo con los procedimientos de pruebas de calibración de campo.

- Cambie las baterías cuando los rayos láser comiencen a atenuarse.
- Limpie el lente de apertura y el cuerpo del nivel láser utilizando un paño suave y limpio. No utilice disolventes.
- Aunque el nivel láser es resistente al polvo y la suciedad en cierta medida, no lo almacene en lugares polvorientos, ya que una exposición de largo plazo puede dañar las piezas móviles internas.
- Si el nivel láser se expone al agua, secarlo antes de devolverlo al estuche a fin de impedir daños de corrosión.
- Retire las baterías si no utiliza el nivel láser durante un largo periodo de tiempo, para evitar daños de corrosión.

Este nivel láser sale de fábrica totalmente calibrado.

Kapro recomienda que el usuario compruebe la precisión del láser periódicamente, o cuando la unidad se cae, o cuando se manipula en forma indebida. Para ello, compruebe en primer lugar la precisión de la altura de la línea horizontal, a continuación compruebe la exactitud de nivelación de la línea horizontal, y finalmente compruebe la precisión de nivelación de la línea vertical.

## Comprobación de la precisión de altura de la línea horizontal. (desviación hacia abajo y hacia arriba)

- 1) Instale el láser sobre un trípode o sobre una superficie sólida entre dos paredes **A** y **B**, separadas por unos 5 metros.
- 2) Posicione el nivel láser aproximadamente a 0.5 metros de la pared **A**
- 3) Desbloquee el péndulo y pulse el botón para proyectar las líneas cruzadas verticales y horizontales hacia la pared **A**.
- 4) Marque en la pared el centro de las líneas cruzadas como **a1** (ver la figura # 1).

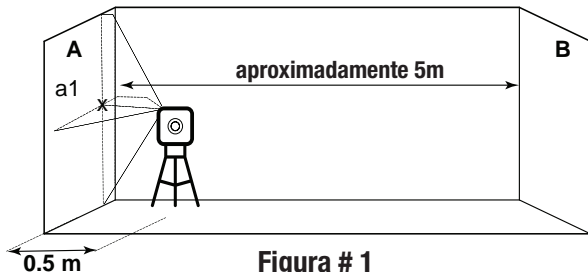
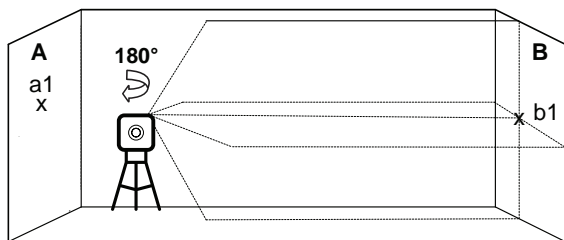


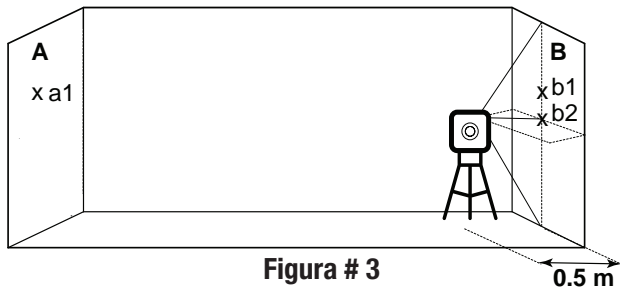
Figura # 1

- 5) Gire el láser 180° hacia la pared **B**, y marque en la pared el centro de las líneas cruzadas como **b1** (ver la figura # 2).



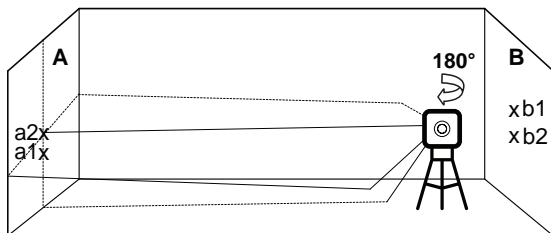
**Figura # 2**

- 6) Mueva el nivel láser hacia la pared **B** y posicione lo aproximadamente a 0.5 metros de la pared **B**.
- 7) Marque en la pared **B** el centro de las líneas cruzadas como **b2** (ver la figura # 3).



**Figura # 3**

- 8) Gire el láser 180° hacia la pared **A**, y marque en la pared el centro de las líneas cruzadas como **a2** (ver la figura # 4).



**Figura # 4**

- 9) Mida las distancias:

$$\Delta a = |a2 - a1|$$

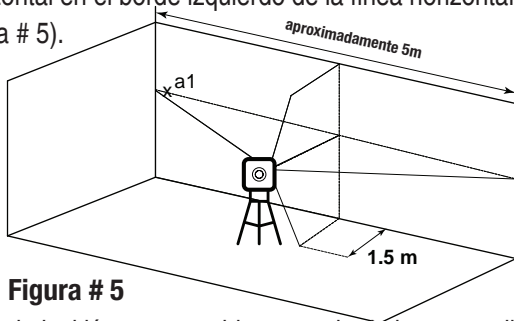
$$\Delta b = |b1 - b2|$$

- 10) La diferencia  $|\Delta a - \Delta b|$  no debe ser de más de 3 mm., si no es así envíe el nivel láser a un técnico cualificado para su reparación.

### **Comprobación de la precisión de nivelado de la línea horizontal. (Inclinación de lado a lado)**

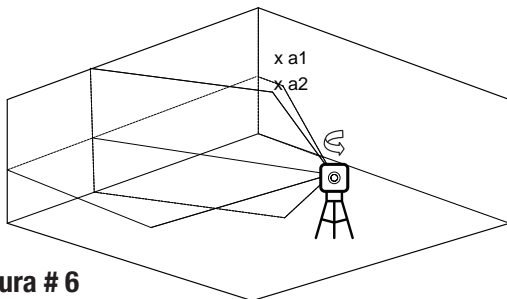
- 1) Instale el láser sobre un trípode o sobre una superficie sólida a una distancia de aproximadamente 1.5 metros de una pared de 5 metros de largo.
- 2) Desbloquee el péndulo y pulse el botón para proyectar las líneas cruzadas verticales y horizontales hacia la pared.

- 3) Marque el punto **a1** en la pared, en el medio de la línea horizontal en el borde izquierdo de la línea horizontal (ver la figura # 5).



**Figura # 5**

- 4) Gire el nivel láser en sentido contrario de las manecillas del reloj hasta que el borde derecho de la línea horizontal llegue cerca de **a1**, marque un punto **a2** en la pared en medio de la línea horizontal (ver la figura # 6).

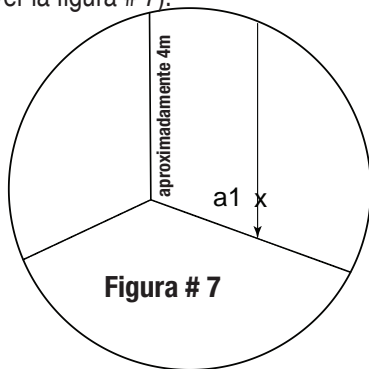


**Figura # 6**

- 10) La distancia entre **a1** y **a2** no debe ser de más de 1.5 mm, si no es así envíe el nivel láser a un técnico cualificado para su reparación.

### Verificar la exactitud de la línea vertical.

- 1) Cuelgue una plomada de aproximadamente 4 metros en una pared.
- 2) Después de asentada la plomada, marque el punto **a1** en la pared detrás de la línea de plomada cerca del cono de la plomada. (ver la figura # 7).



- 3) Instale el láser sobre un trípode o sobre una superficie sólida frente a la pared, a una distancia de aproximadamente 2 metros.
- 4) Desbloquee el péndulo y pulse el botón para proyectar la línea vertical hacia la línea de plomada.
- 5) Gire el láser de modo que la línea vertical se fusione con la línea de plomada por debajo del punto de suspensión.





## ESPECIFICACIONES

Patrón de salida de rayos láser	Líneas cruzadas verticales y horizontales Linea horizontal; Linea vertical
Rango del láser	<ul style="list-style-type: none"><li>• En interiores - 20m</li><li>• En exteriores con detector 40m</li></ul>
Precisión	$\pm 0.3\text{mm/m}$ ( $\pm 0.0003\text{in/in}$ )
Ángulo de barrido de	$120^\circ \pm 5^\circ$
Rango de autonivelación	$\pm 3^\circ$
Ancho de línea láser	$2\text{ mm} \pm 0.5\text{mm}/5\text{m}$
Longitud de onda	$515 \pm 5\text{nm}$ - Láser de Clase II
Fuente de alimentación	3 baterías AA, 3.7V la batería de iones de litio (opcional)
Duración de la batería	15 horas de funcionamiento continuo la batería de iones de litio 7 horas
Temperatura de funcionamiento	$-10^\circ\text{ C} + 45^\circ\text{ C}$ ( $14^\circ\text{ F} + 113^\circ\text{ F}$ )
Temperatura de almacenamiento	$-20^\circ\text{ C} + 60^\circ\text{ C}$ ( $-4^\circ\text{ F} + 140^\circ\text{ F}$ )
Resistente al agua y al polvo	IP54
Dimensiones	$8.6\text{cm} \times 6.4\text{cm} \times 6.6\text{cm}$
Peso	$280\text{gr} \pm 10\text{gr}$ ( $0.6\text{lbs} \pm 0.35\text{oz}$ )



# GARANTÍA

Este producto está cubierto por una garantía limitada de dos años en materiales y mano de obra. La garantía no cubre productos que sean utilizados de forma inapropiada, alterados o reparados sin la aprobación de Kapro, ni un proceso de recalibración en caso de ser necesario

## PROCEDIMIENTO DE REPARACIÓN Y CALIBRACIÓN

1. Si su producto requiere reparación o calibración, devuélvalo al punto de venta junto con su comprobante de compra.
2. Después de iniciar un procedimiento de autorización de retorno, el nivel láser será enviado a un laboratorio de reparación autorizado.
3. Una vez completado, el producto será devuelto a un punto de venta de su elección para su recogida.

## COSTOS Y GARANTÍA

- Los productos bajo garantía serán enviados y reparados sin costo.
- En caso de productos que no estén en garantía, el vendedor le notificará el costo estimado de la reparación antes del inicio del proceso.

La pegatina con el número de serie está colocada dentro del compartimento de batería.

## CERTIFICADO DE CONFORMIDAD CE

Este producto cumple con las normas de Compatibilidad Electromagnética (CEM) establecido por la Directiva Europea 2014/30/EU y el Reglamento para baja tensión 2014/35/EU.

## DECLARACIÓN DE CONFORMIDAD CE

Declaramos bajo nuestra responsabilidad, que el producto: 852G está en acuerdo con los requisitos de las directivas y reglamentos siguientes:

2014/30/EU

2011/65/EU

EN60825-1: 2014

EN61326-1: 2013

Nous vous félicitons pour votre achat du 852G Prolaser® Cross Line GREEN Kapro. Vous êtes en possession de l'un des outils laser les plus avancés du marché. Ce manuel décrit comment tirer le meilleur parti de votre outil laser.

## APPLICATIONS

De conception innovante, le 852G Prolaser® Cross Line GREEN se destine à de très nombreuses tâches professionnelles ou de bricolage, notamment:

- Alignement de carrelage, placards, rives, moulures et boiseries
- Pose de portes et fenêtres
- Tous types de travaux de bricolage, notamment la pose d'étagères, de cadres, etc.



### REMARQUE

**Conservez ce mode d'emploi à titre de référence.**

# CONTENU

• <b>Fonctions</b>	<b>44</b>
• <b>Consignes de sécurité</b>	<b>45-46</b>
• <b>Installation des piles et sécurité</b>	<b>47-48</b>
• <b>Vue d'ensemble</b>	<b>49</b>
• <b>Utilisation</b>	<b>50-52</b>
• <b>Entretien</b>	<b>53</b>
• <b>Test d'étalonnage sur site</b>	<b>54-59</b>
• <b>Caractéristiques</b>	<b>60</b>
• <b>Garantie</b>	<b>61</b>

- Cet outil laser détermine automatiquement les plans horizontal et vertical
- Le laser projette les lignes verticale et horizontale croisées
- Auto-nivellement en mode automatique lorsque le laser est placé dans la portée d'auto-nivellement
- Alerte « hors portée » visuelle et sonore
- Le mode impulsion émet des impulsions détectables par un détecteur
- La portée détectable maximale du laser en mode impulsion est de 40 mètres (130').
- Mode manuel pour le traçage et le marquage d'angle
- Système de verrouillage de protection du balancier durant le transport transportation.
- Adaptateur trépied 1/4"
- Boîtier antichoc en caoutchouc
- Taille compacte - tient dans la caisse à outils

### REMARQUE

**Cet appareil contient des pièces de précision sensibles aux chocs externes, aux impacts et à la chute, cela pourrait compromettre sa fonctionnalité. Manipuler avec soin pour maintenir sa précision.**

# CONSIGNES DE SÉCURITÉ



## ATTENTION

**Ce produit émet un rayonnement de classe 2 selon la norme EN 60825 -1**



Le rayonnement laser peut entraîner de graves lésions oculaires

- Ne pas regarder dans le faisceau laser
- Ne pas placer le faisceau laser de sorte qu'il pointe en direction de vos yeux ou des yeux d'autrui
- Ne pas utiliser le niveau laser à proximité d'enfants ou laisser des enfants utiliser le niveau laser
- Ne pas regarder dans le faisceau laser avec un matériel optique grossissant, des jumelles ou un télescope par exemple, pouvant aggraver les lésions oculaires.

**ATTENTION:** Ce produit contient des soudures au plomb et certaines pièces électriques contiennent des produits chimiques connus de l'État de Californie pour causer le cancer, des malformations congénitales ou des dangers pour la reproduction (section 25249.6, proposition 65 du Code de santé et de sécurité de la Californie)



## REMARQUE

**Les lunettes vertes sont destinées à améliorer la visibilité du faisceau laser. Elles ne protègent pas les yeux contre le rayonnement laser.**

- Ne pas retirer ou dégrader les étiquettes d'avertissement apposées sur le niveau laser
- Ne pas démonter le niveau laser, le rayonnement laser peut gravement endommager l'œil.
- Ne pas faire chuter l'appareil
- Ne pas employer de solvant pour nettoyer l'appareil
- Ne pas utiliser à des températures inférieures à - 10°C ou supérieures à 45°C (14°F - 113°F)
- Ne pas utiliser en environnement inflammable tel qu'en présence de liquides, gaz ou poussières inflammables. Les étincelles de l'outil sont inflammables.
- Lorsqu'il n'est pas utilisé, éteindre l'appareil, retirer les piles, verrouiller le balancier et placer le laser dans sa sacoche de transport.
- S'assurer que le mécanisme de verrouillage du balancier est engagé avant de transporter le laser

#### **REMARQUE**

**Le non verrouillage du balancier avant le transport est susceptible d'endommager le mécanisme interne.**

## INSTALLATION DES PILES ET SÉCURITÉ

1. Appuyez sur le loquet et ouvrez le couvercle de la batterie.
2. Insérez 3 nouvelles piles AA de la même marque, conformément au diagramme de polarité situé à l'intérieur du couvercle de la batterie.
3. Fermez le couvercle de piles.



### Installation de la batterie au lithium-ion (en option)

1. Ouvrir le couvercle de la pile en appuyant sur le loquet.
2. Insérez une pile Li-Ion complètement chargée conformément au schéma de polarité affiché sur la face intérieure du couvercle de la pile.
3. Fermez le couvercle de la pile.
4. Peut être chargée avec n'importe quel chargeur 5V et câble USB Type-C.



### REMARQUE

**En cas de non utilisation prolongée du niveau laser, retirez les piles du compartiment afin d'éviter toute fuite ou corrosion.**



**ATTENTION:** les piles peuvent se détériorer, fuir ou exploser, et causer des blessures ou un incendie.

1. Ne pas raccourcir les bornes des piles.
2. Ne pas recharger des piles alcalines.
3. Ne pas mélanger des piles neuves et anciennes.
4. Ne pas jeter les piles aux ordures ménagères.
5. Ne pas jeter les piles au feu.
6. Les piles défectueuses ou usagées doivent être mises au rebut conformément à la réglementation en vigueur.
7. Tenir les piles hors de portée des enfants.



# VUE D'ENSEMBLE

## 1. Interrupteur On/Off

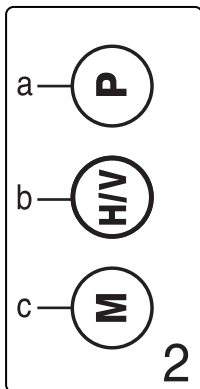
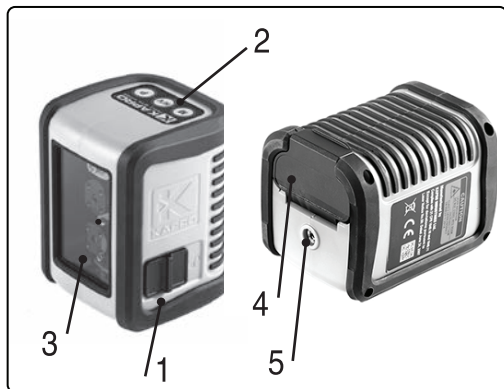
## 2. Bloc de touches

- a. Bouton de mode manuel
- b. Bouton de sélection de faisceau
- c. Bouton de mode impulsion

## 3. Fenêtre de projection laser

## 4. Couvercle de piles

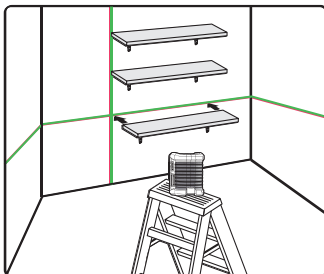
## 5. Adaptateur trépied ¼"



## Fonctionnement en mode automatique (auto-nivellement) :

En mode automatique, le niveau laser se met à niveau dans une plage de  $\pm 3^\circ$  et projetera une ligne horizontale ou verticale ou les deux simultanément.

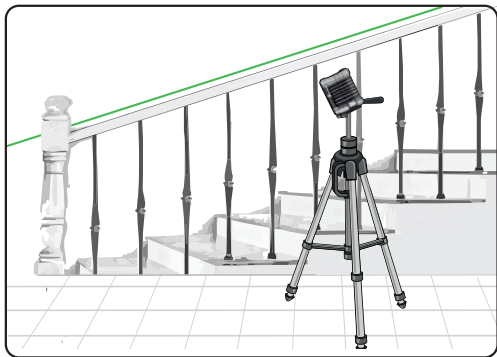
1. Retirez le laser du boîtier et placez-le sur une surface solide, plane et sans vibration ou sur un trépied.
2. Faites glisser l'interrupteur de verrouillage n°1 sur la position **MARCHE** ; Le niveau laser générera les lignes horizontales et verticales croisées.
3. Choisissez les faisceaux avec lesquels vous voulez travailler en appuyant sur le bouton poussoir des faisceaux **H/V**
4. Si la pente initiale du laser est supérieure à  $\pm 3^\circ$  et que le mode automatique est activé, les lignes laser clignoteront. Dans ce cas, repositionnez le laser sur une surface plus plane.
5. Avant de déplacer le niveau laser, placez l'interrupteur de verrouillage n°1 en position **ARRÊT**, ce qui verrouillera le pendule et protégera votre niveau laser.



## Utilisation en mode manuel

En mode manuel, le mécanisme d'auto-nivellement du 852G est désactivé et les lignes laser peuvent être réglées sur n'importe quelle pente. Les faisceaux laser clignoteront toutes les 3 secondes pour vous indiquer que vous travaillez sans l'auto-nivellement et que les faisceaux peuvent ne pas être nivelés.

1. Appuyez sur le bouton poussoir du Mode manuel **M**. Le laser projettera les lignes transversales.
2. Choisissez les faisceaux avec lesquels vous voulez travailler en appuyant sur le bouton poussoir de sélection des faisceaux **H/V**
3. Pour marquer une pente, inclinez le laser afin d'atteindre l'angle requis.
4. Pour désactiver le mode manuel, appuyez à nouveau sur le bouton **M** (Manuel)
5. En mode manuel, faire glisser l'interrupteur de verrouillage n°1 de la position **ARRÊT** vers la position **MARCHE** désactive le mode manuel. L'auto-nivellement est activé si le niveau laser se trouve dans la plage d'auto-nivellement.



### Utilisation en mode impulsion avec un détecteur

Pour les travaux en extérieur sous la lumière directe du soleil ou dans des conditions très lumineuses et pour des portées intérieures étendues jusqu'à 40 mètres, utilisez le mode pulsé avec détecteur.

Lorsque le mode pulsé est activé, les lignes laser clignotent à très haute fréquence (invisible à l'œil humain), ce qui permet au détecteur de détecter les lignes laser.

1. Le mode pulsé peut être activé en modes automatique et manuel.
2. Pour activer le mode pulsé, appuyez sur le bouton **P**.
3. Lorsque le mode pulsé est activé, la luminosité des lignes laser diminue un peu.
4. Pour désactiver le mode pulsé, appuyez à nouveau sur le bouton **P**, la luminosité des lignes laser augmente.

## ENTRETIEN

Afin de garantir la précision de votre projet, vérifiez l'exactitude de votre niveau laser en utilisant les procédures d'étalonnage sur le terrain.

- Changez les piles lorsque l'intensité des faisceaux laser faiblit.
- Nettoyez la fenêtre de projection et le boîtier du niveau laser à l'aide d'un chiffon propre et doux. N'utilisez pas de solvants.
- Bien que le niveau laser soit résistant à l'eau et à la poussière, ne le remisez pas en un endroit poussiéreux, une longue exposition étant susceptible d'endommager des pièces mobiles internes.
- Si le niveau laser est exposé à l'eau, essuyez-le avant de le remiser dans son boîtier de transport pour éviter tout risque de corrosion.
- En cas de non-utilisation prolongée de l'appareil, retirez les piles pour éviter tout risque de corrosion.

Le niveau laser quitte l'usine entièrement étalonné. Kapro recommande de vérifier régulièrement le niveau, et impérativement après une chute ou une erreur de manipulation. Pour ce faire, il est nécessaire de vérifier, dans l'ordre, la précision de hauteur de la ligne horizontale, la précision de nivellement de la ligne horizontale, et enfin la précision de nivellement de la ligne verticale.

## Vérification de la précision de hauteur de la ligne horizontale (écart haut/bas)

- 1) Posez le laser sur un trépied ou une surface solide, entre deux murs **A** et **B** distants d'environ 5 mètres.
- 2) Placez le niveau laser à environ 50 cm du mur **A**.
- 3) Déverrouillez le balancier et appuyez sur le bouton pour projeter les lignes horizontale et verticale croisées sur le mur **A**.
- 4) Marquez la position du croisement des ligne sur le mur, comme point **a1** (voir illustration 1)

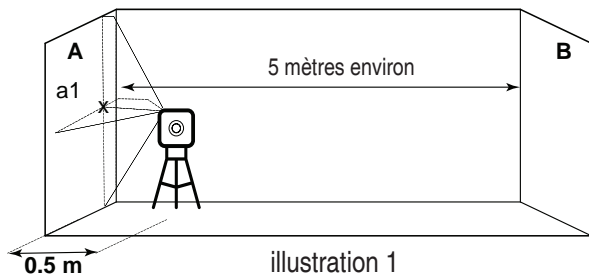


illustration 1

- 5) Tournez le laser de 180° vers le mur **B**, et marquez sur le mur le centre des lignes croisées, comme point **b1** (voir illustration 2).

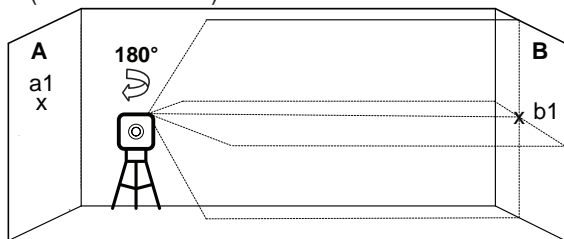


illustration 2

- 6) Déplacez le niveau laser face au mur **B**, à environ 50 cm du mur.
- 7) Marquez sur le mur **B** le croisement des lignes comme point **b2**.(voir illustration 3)

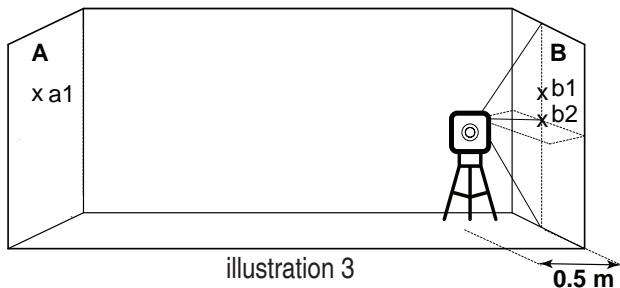


illustration 3

- 8) Tournez le laser de 180° en direction du mur **A**, et marquez sur le mur le croisement des lignes comme point **a2** (voir illustration 4).

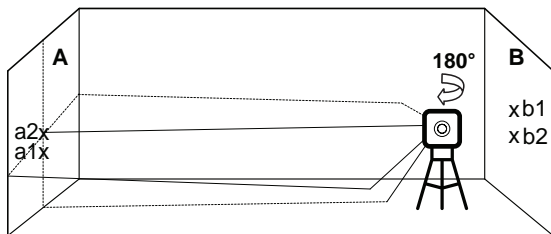


illustration 4

- 9) Mesurez les distances :

$$\Delta a = |a2 - a1|$$

$$\Delta b = |b1 - b2|$$

- 10) La différence  $|\Delta a - \Delta b|$  doit être inférieure à 3 mm, dans le cas contraire, le niveau laser doit être examiné par un technicien agréé.

### **Vérification de la précision de nivellement de la ligne horizontale (inclinaison latérale)**

- 1) Placez le laser sur un trépied ou une surface solide, à une distance d'environ 1,5 m d'un mur de 5 m de long.
- 2) Déverrouillez le balancier et appuyez sur le bouton pour projeter les lignes horizontale et verticale croisées sur le mur.



- 3) Marquez le point **a1** sur le mur, à l'extrémité gauche de la ligne horizontale (voir illustration 5).

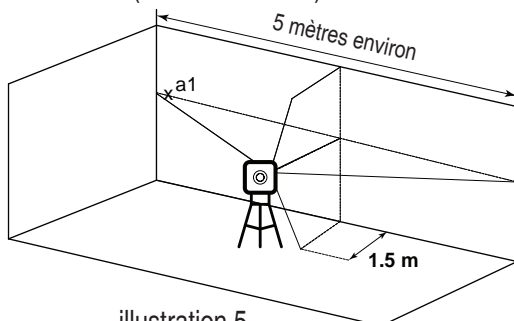


illustration 5

- 4) Tournez le niveau laser dans le sens antihoraire jusqu'à ce que l'extrémité droite de la ligne horizontale soit au niveau de **a1**, et marquez le point **a2** sur le mur, sur la ligne horizontale (voir illustration 6).

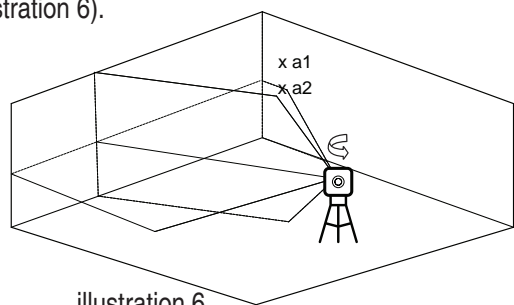
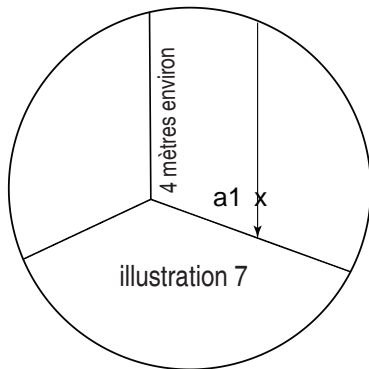


illustration 6

- 5) La distance entre **a1** et **a2** ne doit pas excéder 1.5 mm.  
Dans le cas contraire, le niveau laser doit être examiné par un technicien agréé.

### Vérification de la précision de la ligne verticale

- 1) Suspendez à un mur un fil à plomb d'environ 4 mètres.
- 2) Une fois le fil à plomb en équilibre, marquez le point **a1** sur le mur derrière le fil à plomb, à côté du plomb (voir illustration 7).



- 3) Placez le laser sur un trépied ou une surface solide, face au mur, à une distance d'environ 2 mètres.
- 4) Déverrouillez le balancier et appuyez sur le bouton pour projeter la ligne verticale en direction du fil à plomb.
- 5) Tournez le laser afin que la ligne verticale se superpose avec le fil à plomb sous le point de suspension.

- 6) Sur le mur, marquez le point **a2** au milieu de la ligne verticale et à la même hauteur que **a1** (voir illustration 8).

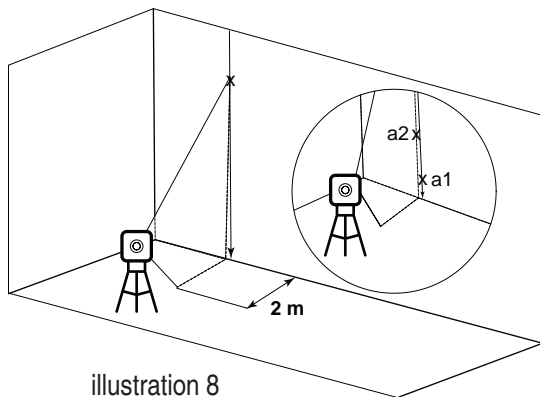


illustration 8

- 7) La distance entre **a1** et **a2** ne doit pas excéder 1.5 mm, dans le cas contraire, le niveau laser doit être examiné par un technicien agréé.



## CARACTÉRISTIQUES

Sorties faisceaux laser	Lignes horizontale et verticale croisées Ligne horizontale Ligne verticale
Portée laser	<ul style="list-style-type: none"><li>• Intérieur - 20 m (65 ft)</li><li>• Extérieur avec détecteur 40 m (130 ft)</li></ul>
Précision	$\pm 0.3\text{mm/m}$ ( $\pm 0.0003\text{in/in}$ )
Angle ventilateur	$120^\circ \pm 5^\circ$
Plage d'auto-nivellement	$\pm 3^\circ$
Largeur de ligne laser	2 mm ( $\pm 0,5\text{mm}$ ) à 5 mètres
Longueur d'onde	515 $\pm 5\text{nm}$ - Laser de classe 2
Alimentation	3 piles AA, 3.7V la batterie au lithium-ion (en option)
Autonomie	15 heures de fonctionnement continu la batterie au lithium-ion 7 heures
Température de service	$-10^\circ\text{C} + 45^\circ\text{C}$ ( $14^\circ\text{F} + 113^\circ\text{F}$ )
Température d'entreposage	$-20^\circ\text{C} + 60^\circ\text{C}$ ( $-4^\circ\text{F} + 140^\circ\text{F}$ )
Résistance à l'eau et à la poussière	IP54
Dimensions	8.6cm x 6.4cm x 6.6cm
Poids avec piles	280gr $\pm 10\text{gr}$ (0.6lbs $\pm 0.35\text{oz}$ )

# GARANTIE

Ce produit est couvert par une garantie limitée de deux ans sur les défauts matériels et sur les défauts de fabrication. La garantie ne couvre pas les produits utilisés de façon incorrecte, modifiés ou réparés sans l'approbation de Kapro, ni une procédure d'étalonnage si celle-ci s'avère nécessaire.

## PROCÉDURE DE RÉPARATION ET D'ÉTALONNAGE

1. Si votre produit nécessite une réparation ou un étalonnage, veuillez le retourner au point de vente, accompagné de votre preuve d'achat.
2. Une fois la procédure d'autorisation de retour initiée, le niveau laser sera envoyé à un laboratoire de réparation agréé.
3. Une fois la réparation terminée, le produit sera renvoyé au point de vente de votre choix pour y être récupéré.

## COÛTS ET GARANTIE

- Les produits sous garantie seront expédiés et réparés gratuitement.
- Pour les produits qui ne sont pas sous garantie, le revendeur vous informera du coût estimé de la réparation avant le début de la procédure de réparation.

L'étiquette de numéro de série se trouve à l'intérieur du compartiment à piles.

## CERTIFICAT DE CONFORMITÉ CE

Ce produit est conforme aux normes de compatibilité électromagnétique (CEM) établi par la directive européenne 2014/30/EU et le règlement pour basse tension 2014/35/EU.

## DÉCLARATION DE CONFORMITÉ CE

Nous déclarons sous notre responsabilité que le produit: 852G est conforme aux exigences et réglementations suivantes :

2014/30/EU

2011/65/EU

EN60825-1: 2014

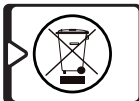
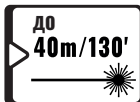
EN61326-1: 2013

Компания Kapro благодарит вас за выбор 852G Prolaser® Cross Line Laser. Теперь вам принадлежит один из самых передовых из существующих лазерных инструментов. Это руководство поможет вам эксплуатировать инструмент с максимальной эффективностью.

## ОБЛАСТИ ПРИМЕНЕНИЯ

Инновационный лазерный уровень 852G Prolaser® Cross Line Laser GREEN позволяет выполнять самые различные профессиональные и любительские работы, включая:

- облицовку плиткой, установку подвесных шкафов, бордюров и молдингов, поклейку обоев;
- установку дверей и окон;
- все работы, выполняемые своими руками, включая крепление полок, картин и многое другое.



### ПРИМЕЧАНИЕ

**Сохраните это руководство для последующего использования.**

# СОДЕРЖАНИЕ

• <b>Функции</b>	<b>64</b>
• <b>Техника безопасности</b>	<b>65-66</b>
• <b>Установка батарей и безопасность</b>	<b>67-68</b>
• <b>Общий вид</b>	<b>69</b>
• <b>Инструкция по эксплуатации</b>	<b>70-72</b>
• <b>Обслуживание</b>	<b>73</b>
• <b>Полевая проверка калибровки</b>	<b>74-79</b>
• <b>Технические характеристики</b>	<b>80</b>
• <b>Гарантия</b>	<b>81</b>

- Этот лазерный инструмент автоматически выравнивается по горизонтальной и вертикальной плоскостям.
- Лазерный уровень проецирует перекрещенные горизонтальную и вертикальную линии.
- Автоматическое самовыравнивание в пределах диапазона самовыравнивания.
- Визуальный сигнал для положения вне диапазона самовыравнивания.
- В импульсном режиме проецирует лазерные лучи которые могут быть обнаружены детектором.
- Максимальная рабочая дальность лазера в импульсном режиме - 40 м (130').
- Ручной режим для разметки под наклоном.
- Механизм блокировки для защиты маятника во время транспортировки.
- Резьба под штатив 1/4"
- Ударопрочный обрешиненый корпус.
- Компактный размер - помещается в ящике для инструментов.

### **ПРЕДУПРЕЖДЕНИЕ**

**Этот прибор содержит точные детали чувствительные к ударам, сотрясениям или падениям, которые могут нарушить его функциональность - обращайтесь с осторожностью для сохранения точности устройства.**



# ТЕХНИКА БЕЗОПАСНОСТИ

## ПРЕДУПРЕЖДЕНИЕ

**Этот прибор является источником излучения, которое относится к Классу II в соответствии со стандартом EN 60825 -1**

Лазерное излучение может привести к серьезным повреждениям глаз



- Не допускайте попадания лазерного луча в глаза
- Не устанавливайте лазерный уровень так, чтобы он мог непреднамеренно ослеплять вас или других людей.
- Не используйте лазерный уровень вблизи детей и не позволяйте детям использовать лазерный уровень.
- Не допускайте попадания лазерного луча в глаза через увеличительные оптические устройства, такие как бинокль или телескоп, так как это повышает степень повреждения глаз.

**!** **ПРЕДУПРЕЖДЕНИЕ:** Этот прибор содержит свинец в припое, также некоторые электрические части содержат химические вещества, которые известны в штате Калифорния как вызывающие рак, дефекты у новорождённых или другие нарушения репродуктивной функции.  
(Кодекс Здоровья и Безопасности штата Калифорния, Раздел 25249.6 положение 65)

## **ЗАМЕТКА**

**Зеленые очки предназначены для повышения видимости лазерного луча. Они не защитят ваши глаза от лазерного излучения.**

- Не удаляйте и не искажайте предупреждающие надписи на лазерном уровне.
- Не разбирайте лазерный уровень, лазерное излучение может привести к серьезным повреждениям глаз.
- Не роняйте лазерный уровень.
- Не используйте растворители для очистки лазерного уровня.
- Не используйте при температуре ниже  $-10^{\circ}\text{C}$  или выше  $45^{\circ}\text{C}$
- Не используйте лазер во взрывоопасных средах, таких как легковоспламеняющиеся жидкости, газы или пыль. Искра от прибора может вызвать возгорание.
- Когда устройство не используется, выключите питание, включите блокировку маятника и поместить устройство в чехол для переноски.
- Перед транспортировкой устройства убедитесь в том, что маятник заблокирован.

## **ЗАМЕТКА**

**Транспортировка без блокировки маятника может привести к внутренним механическим повреждениям устройства.**

# УСТАНОВКА БАТАРЕЙ И БЕЗОПАСНОСТЬ

1. Нажмите на защелку и откройте крышку батарейного отсека.
2. Вставьте 3 новые батарейки формата AA одной марки в соответствие со схемой полярности на внутренней части крышки батарейного отсека.
3. Закройте крышку отсека на место.



## Установка литий-ионного аккумулятора (опционально)

1. Нажмите на защелку, чтобы открыть крышку аккумуляторного отсека.
2. Вставьте полностью заряженный литий-ионный аккумулятор в соответствии с отметками полярности на внутренней стороне крышки аккумуляторного отсека.
3. Закройте крышку аккумуляторного отсека.
4. Можно заряжать с помощью любого зарядного устройства на 5 В и USB-кабеля Type-C.



### **ЗАМЕТКА**

**Если лазерный уровень не будет использоваться в течение длительного периода времени, выньте батарейки из батарейного отсека. Это предотвратит протекание батарей и коррозионные повреждения устройства.**



**ПРЕДУПРЕЖДЕНИЕ:** Батареи могут портиться, протекать или вздуться, что может привести к травмам или пожару.

1. Не закорачивайте клеммы батарей.
2. Не заряжайте щелочные батареи не предназначенные для повторной зарядки.
3. Не следует смешивать старые и новые батареи.
4. Не выбрасывайте батареи с бытовым мусором.
5. Не бросайте батареи в огонь.
6. Поврежденные или разряженные батареи должны быть утилизированы в соответствии с местными правилами.
7. Храните батареи в недоступном для детей месте.

# ОБЩИЙ ВИД

## 1. Выключатель

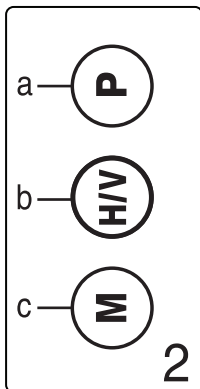
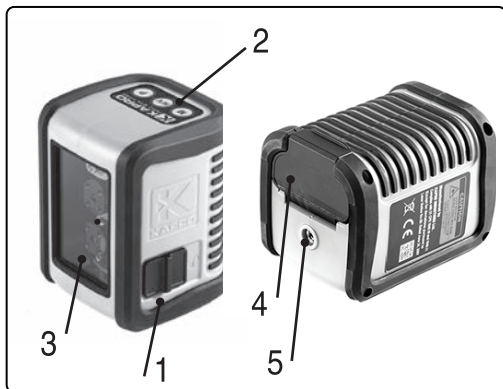
## 2. Клавиатура

- a. Импульсный режим
- b. Переключатель режимов работы
- c. Ручной режим

## 3. Окно лазерного проектора

## 4. Крышка отсека батареек

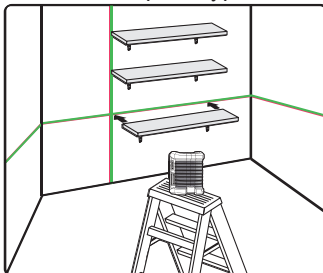
## 5. Резьба под штатив на 1/4"



## Работа в автоматическом режиме (самовыравнивание):

В автоматическом режиме лазерный уровень самовыравнивается в диапазоне  $\pm 3^\circ$  и может проецировать горизонтальную или вертикальную линию или обе линии одновременно.

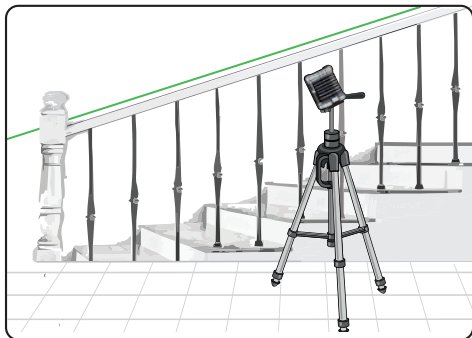
1. Извлеките лазер из чехла и поместите его на твердую плоскую поверхность, свободную от вибраций или на штатив.
2. Переведите выключатель # 1 в положение **ON**, лазерный уровень начнет проецировать перекрещенные горизонтальную и вертикальную линии.
3. Выберите нужные для работы линии нажатием кнопки **H/V**
4. Если наклон лазерного уровня более  $\pm 3^\circ$  при автоматическом режиме работы, лазерные линии начнут мигать и прибор будет подавать звуковой сигнал о положении вне диапазона самовыравнивания. В таком случае установите прибор на более ровную поверхность.
5. Перед перемещением лазерного уровня переведите выключатель # 1 в положение **OFF**, это активирует блокировку маятника и защитит ваш лазерный уровень.



## **Работа в ручном режиме:**

В ручном режиме механизм самовыравнивания отключен и лазерные линии могут быть установлены под любым требуемым углом.

1. Нажмите кнопку "Ручной режим" **M**. Лазерный уровень начнёт проецировать перекрещенные линии.
2. Выберите требуемые линии нажатием кнопки "Выбор Луча" **H/V**
3. Для получения необходимого угла наклона отрегулируйте положение прибора.
4. Чтобы выключить прибор, снова нажмите кнопку "Ручной режим" **M**
5. Если во время работы в ручном режиме перевести выключатель # 1 из положения ВЫКЛ в положение ВКЛ, ручной режим работы отключится будет активирован автоматический режим работы и прибор начнёт самовыравниваться (при условии положения уровня в пределах диапазона самовыравнивания).



### **Работа в импульсном режиме с детектором:**

Для наружных работ под прямым солнечным светом или в условиях яркого освещения а также

для увеличения рабочей дистанции в помещении до 40 метров, используйте импульсный режим с детектором.

При активированном импульсном режиме проецируемые лазерные линии мигают с очень высокой частотой (неуловимой для человеческого глаза), что позволяет обнаруживать их с помощью детектора.

1. Импульсный режим может быть активирован как в автоматическом так и в ручном режиме работы.
2. Для включения импульсного режима нажмите на кнопку **P**.
3. При активированном импульсном режиме видимая яркость проецируемых лазерных линий немного снижается.
4. Для выключения импульсного режима нажмите кнопку **P** еще раз.



## ОБСЛУЖИВАНИЕ

Для сохранения точности в вашей работе, регулярно проверяйте калибровку вашего лазерного уровня в соответствии с процедурой проверки калибровки в полевых условиях.

- Замените батареи, если лазерные лучи начинают тускнеть.
- Очищайте окошки лазеров и корпус уровня чистой мягкой тканью. Не используйте растворители.
- Хотя лазерный уровень в некоторой степени устойчив к пыли и грязи, не храните его в запыленных местах, долгосрочное загрязнение может привести к повреждению внутренних подвижных частей.
- Если лазерный уровень подвергся воздействию воды, высушите его перед возвращением его в чехол чтобы предотвратить коррозию.
- Извлеките батарейки, если лазерный уровень не используется в течение длительного периода времени, чтобы предотвратить повреждения от коррозии в случае протечки батареек.

Завод-изготовитель поставляет лазерные уровни в полностью откалиброванном виде. Компания Карпо рекомендует проверять уровень на регулярной основе, а также после каждого падения или нарушения правил эксплуатации инструмента. Для этого необходимо сначала проверить калибровку горизонтальной линии по высоте, затем проверить точность выравнивания горизонтальной линии, и наконец проверить точность выравнивания вертикальной линии.

## **Проверка калибровки горизонтальной линии по высоте. (разница высоты линии на ближней и дальней цели)**

- 1) Установите лазер на штатив или на твердую поверхность между двумя стенами **A** и **B**, находящимися приблизительно в 5 м друг от друга.
- 2) Установите лазерный уровень примерно в 0,5 м от стены **A**
- 3) Разблокируйте маятник и выберите проекцию перекрещенных горизонтальной и вертикальной линий на стену **A**.
- 4) Отметьте на стене **A** точку пересечения линий как **a1** (см. рис. № 1).



рисунок № 1

- 5) Поверните лазер на  $180^\circ$  в сторону стены **В** и отметьте на ней точку пересечения линий как **b1** (см. рис. № 2).

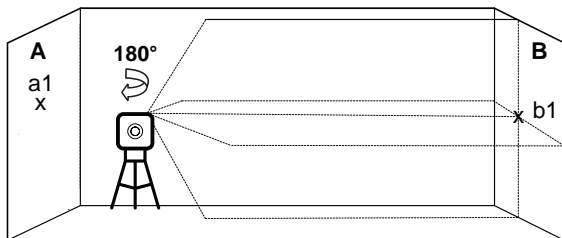


рисунок № 2

- 6) Переместите лазерный уровень и установите его примерно в 0,5 м от стены **В**.  
7) Отметить на стене **В** точку пересечения линий как **b2** (см. рис. № 3).

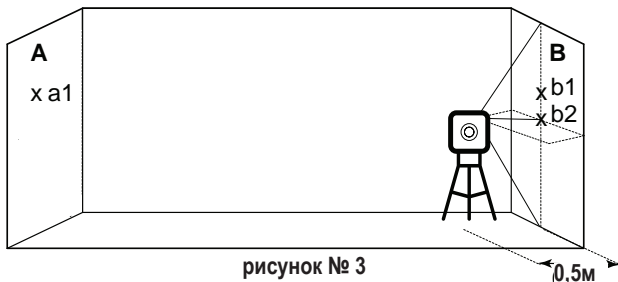


рисунок № 3

- 8) Разверните уровень на  $180^\circ$  в сторону стены **A** и отметьте на стене **A** точку пересечения линий как **a2** (см. рис. № 4).

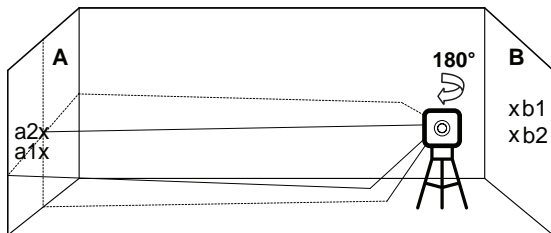


рисунок № 4

- 9) Измерьте расстояния:

$$\Delta a = |a2 - a1|$$

$$\Delta b = |b1 - b2|$$

- 10) Разность  $|\Delta a - \Delta b|$  не должна превышать 3 мм, в противном случае отправьте лазерный уровень к квалифицированному специалисту для калибровки.

### **Проверка точности выравнивания горизонтальной линии. (Разница высот правого и левого конца линии)**

- 1) Установите лазер на штатив или на твердую поверхность на расстоянии примерно 1,5 м от стены, ширина которой примерно 5 м.
- 2) Разблокируйте маятник и выберите проекцию перекрещенных горизонтальной и вертикальной линий на стену.

- 3) Отметьте точку **a1** на стене на левом конце горизонтальной линии (см. рис. № 5).

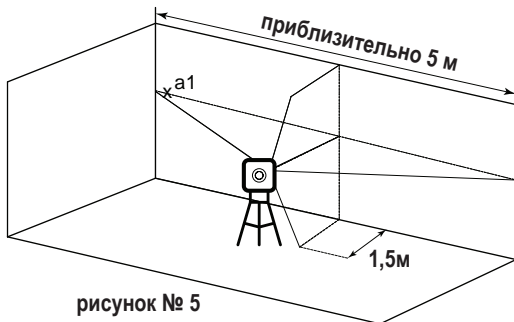


рисунок № 5

- 4) Разверните лазерный уровень против часовой стрелки так, чтобы правый конец горизонтальной линии оказался вблизи точки **a1**, отметьте точку **a2** на стене (см. рис. № 6).

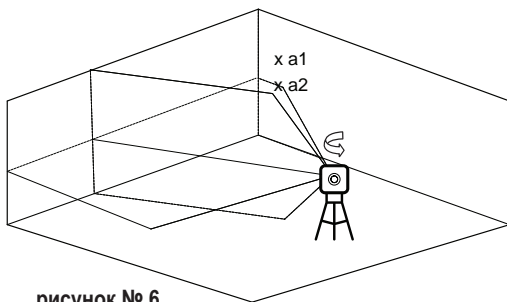
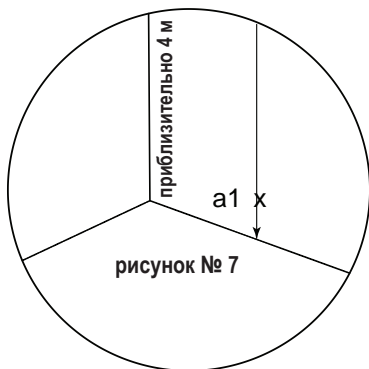


рисунок № 6

- 5) Расстояние по вертикали между точками **a1** и **a2**, не должно превышать 1.5 мм, в противном случае отправьте лазерный уровень квалифицированному технику на калибровку.

### Проверка точности вертикальной линии.

- 1) Подвесить отвес приблизительно 4 метра длинной вплотную к стене.
- 2) После того, как отвес стабилизируется, отметьте точку **a1** на стене по линии отвеса вблизи грузила. (см. рис. № 7).



- 3) Установите лазер на штатив или на твердую поверхность на расстоянии около 2 метров перед стеной.
- 4) Разблокируйте маятник, и выберите проекцию вертикальной линии в направлении отвеса.
- 5) Поверните уровень так, чтобы вертикальная линия совпала с отвесом в верхней его части.

- 6) Отметьте точку **a2** на стене на той же высоте, что и **a1**.  
(см. рис. № 8).

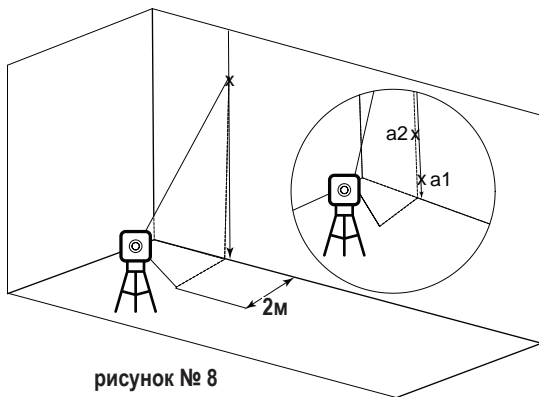


рисунок № 8

- 7) Расстояние по горизонтали между **a1** и **a2**, не должно превышать 1.5 мм, в противном случае отправьте лазерный уровень квалифицированному технику на калибровку.

Проецируемые лазерные линии	<ul style="list-style-type: none"> <li>• Перекрещенные вертикальная и горизонтальная линии</li> <li>• Горизонтальная линия</li> <li>• Вертикальная линия</li> </ul>
Максимальная дальность	<ul style="list-style-type: none"> <li>• В помещении: до 20 м</li> <li>• Вне помещения: до 40 м (с приемником)</li> </ul>
Погрешность	0,3 мм/м
Угол развертки луча	120° ±5°
Диапазон самовыравнивания	±3°
Ширина лазерного луча	2 мм ±0,5 мм на расстоянии 5 м
Длина волны	515 ±5 нм Класс лазера: II
Питание	3 батарейки формата AA 3.7V литий-ионный аккумулятор (опционально)
Ресурс батареек	до 15 часов непрерывной работы 7 часов литий-ионный аккумулятор
Рабочая температура	От -10 °С до + 45 °С
Температура хранения	От - 20° С до + 60° С
Защита от воды и пыли	IP54
Габаритные размеры	8.6cm x 6.4cm x 6.6cm
Масса с батарейками	280 г ±10 г



# ГАРАНТИЯ

На данное изделие распространяется ограниченная гарантия на случай обнаружения производственных либо материальных дефектов сроком на два года. В случае использования изделия ненадлежащим образом, а также внесения в него конструкционных изменений или ремонта без разрешения компании Карго, гарантия аннулируется. Кроме того, гарантия не распространяется на процесс повторной калибровки, если таковой необходим.

## РЕМОНТ И КАЛИБРОВКА

1. Если ваше изделие необходимо отремонтировать или откалибровать, верните его в пункт продажи вместе с документом, подтверждающим покупку.
2. После получения разрешения на возврат, лазерный уровень будет отправлен в авторизованный сервисный центр.
3. После завершения ремонта изделие будет возвращено в выбранную вами торговую точку для выдачи.

## СТОИМОСТЬ РАБОТ, СВЯЗАННЫХ С ГАРАНТИЙНЫМ ОБСЛУЖИВАНИЕМ

- Доставка и ремонт изделий, находящихся на гарантии, осуществляются бесплатно.
- В случае ремонта изделий, на которые гарантия не распространяется, дилер уведомит вас об ориентировочной стоимости работ до их начала.

Наклейка с серийным номером расположена на нижней части изделия.

## СЕРТИФИКАТ СООТВЕТСТВИЯ СЕ

Этот продукт соответствует стандартам Электромагнитной Совместимости (СЕМ) установленным Европейской директивой 2014/30/EU и Регламентом для устройств низкого напряжения 2014/35/EU.

## ДЕКЛАРАЦИЯ О СООТВЕТСТВИИ

Мы заявляем под нашу ответственность, что устройство 852G соответствует требованиям следующих директив и правил Европейского Сообщества:

2014/30/EU

2011/65/EU

EN60825-1: 2014

EN61326-1: 2013







**Rev. 2.0**

**© 2023 Kapro Industries Ltd.**